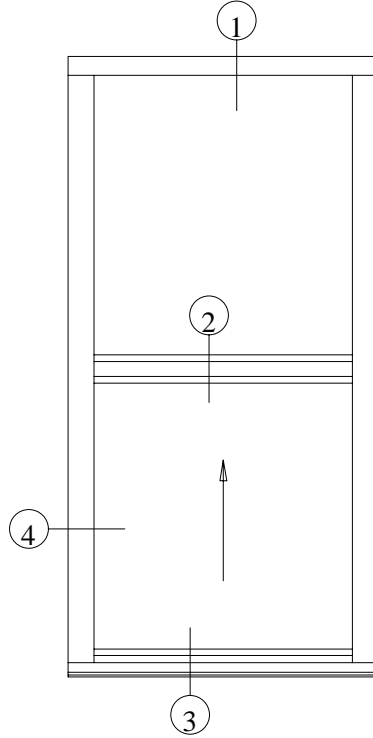


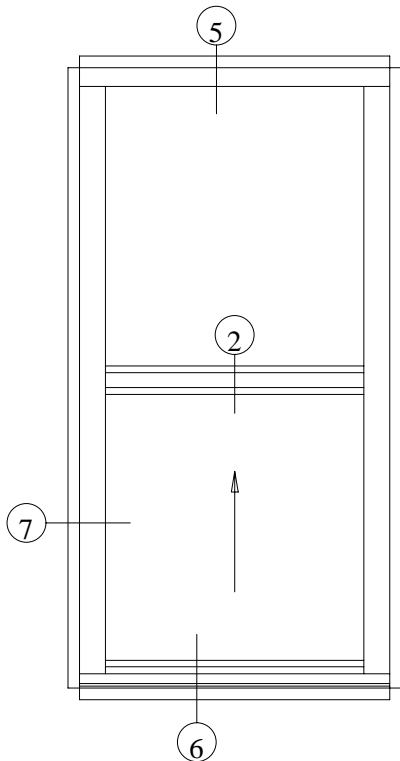


ELEVATIONS

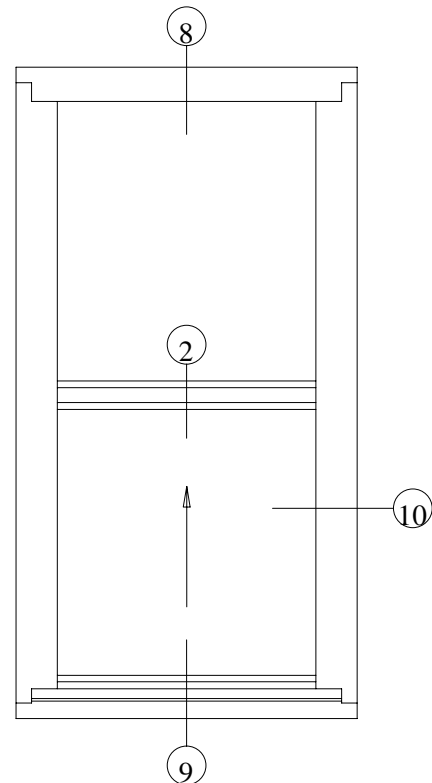
SERIES SH-940 SINGLE HUNG IMPACT WINDOW



STANDARD FRAME OPTION



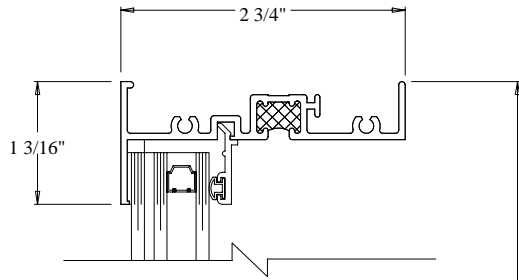
NAILFIN OPTION



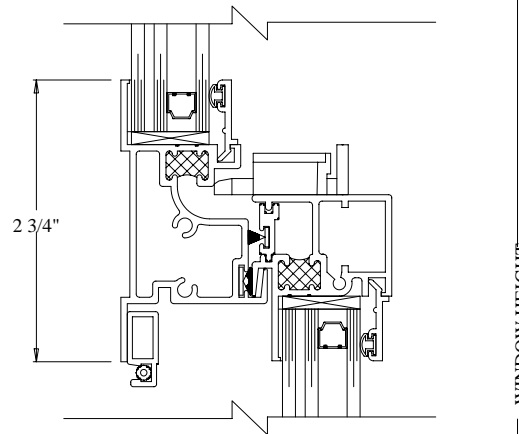
FLANGE OPTION



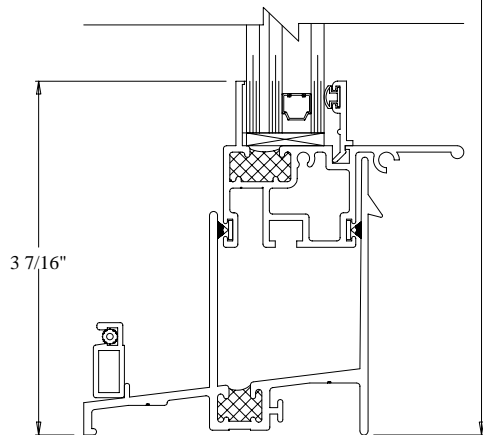
HALF SCALE SECTIONS



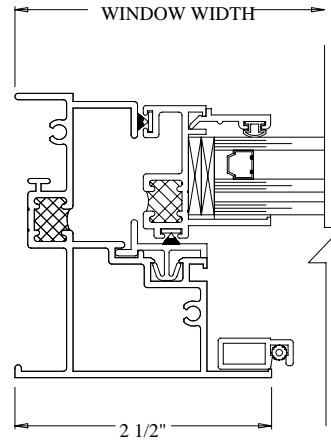
① HEAD



② MEETING RAIL



③ SILL

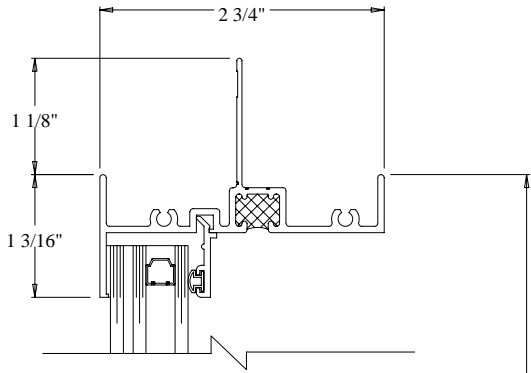


④ JAMB

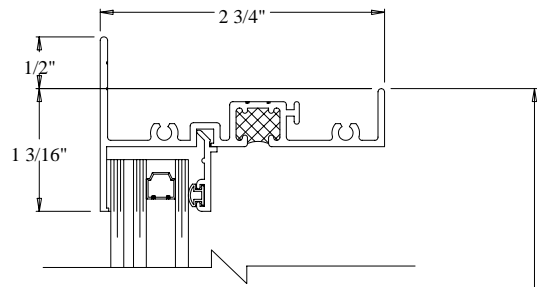
WINDOW HEIGHT



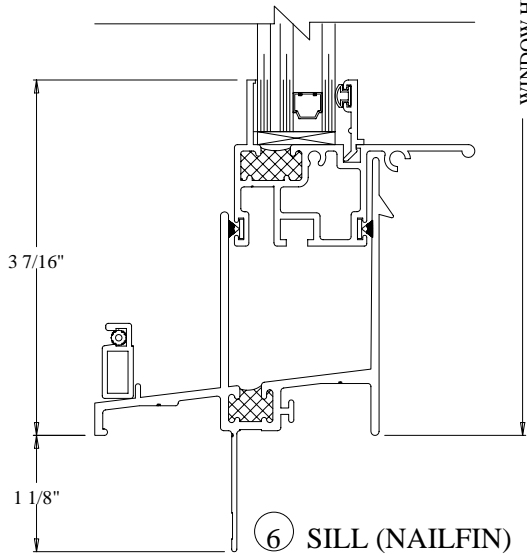
HALF SCALE SECTIONS



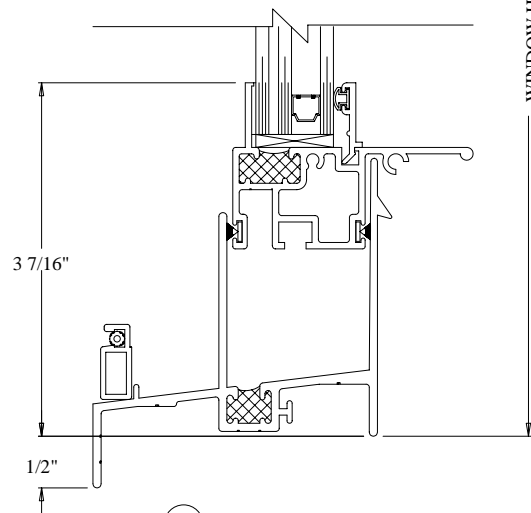
⑤ HEAD (NAILFIN)



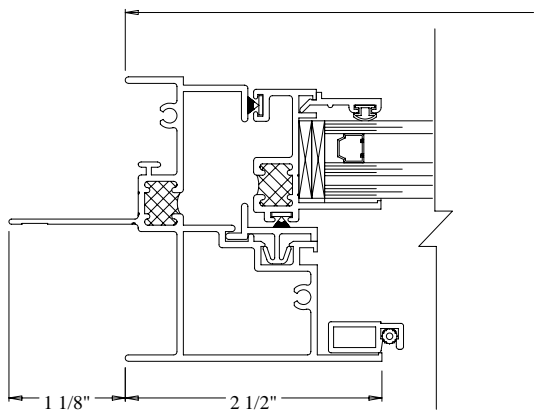
⑧ HEAD (FLANGE)



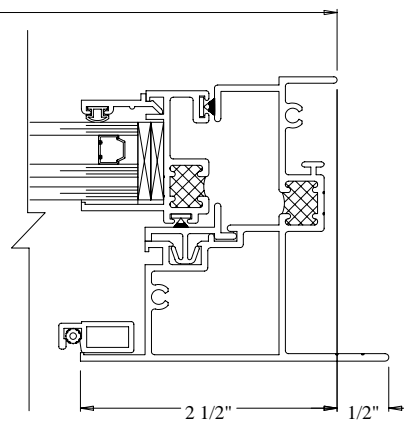
⑥ SILL (NAILFIN)



⑨ SILL (FLANGE)



⑦ JAMB (NAILFIN)



⑩ JAMB (FLANGE)