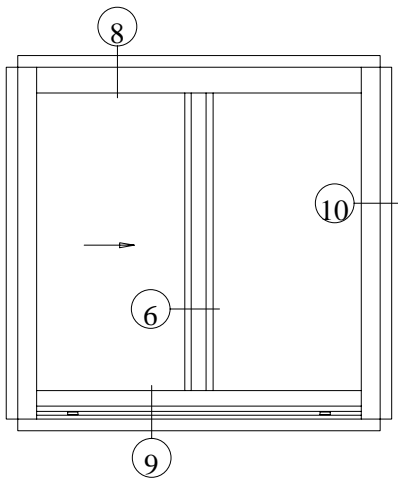
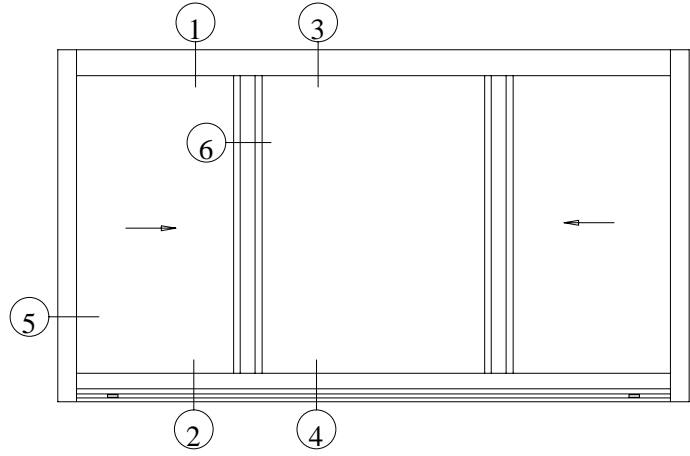
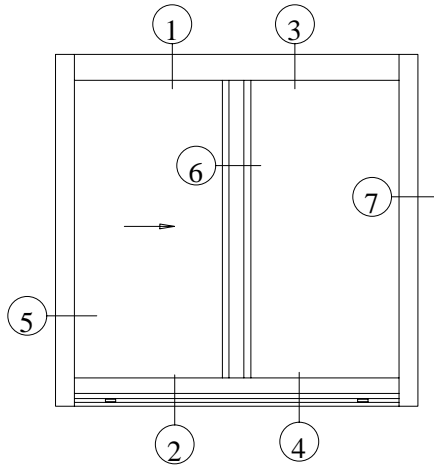


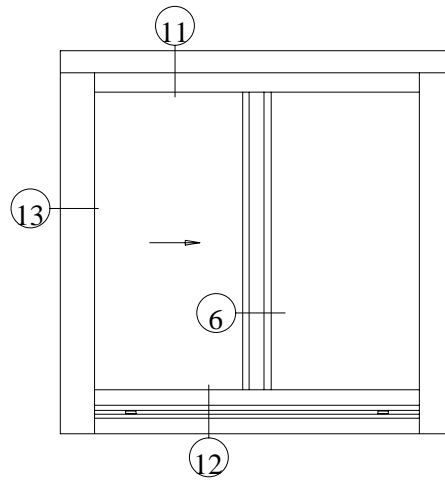


ELEVATIONS

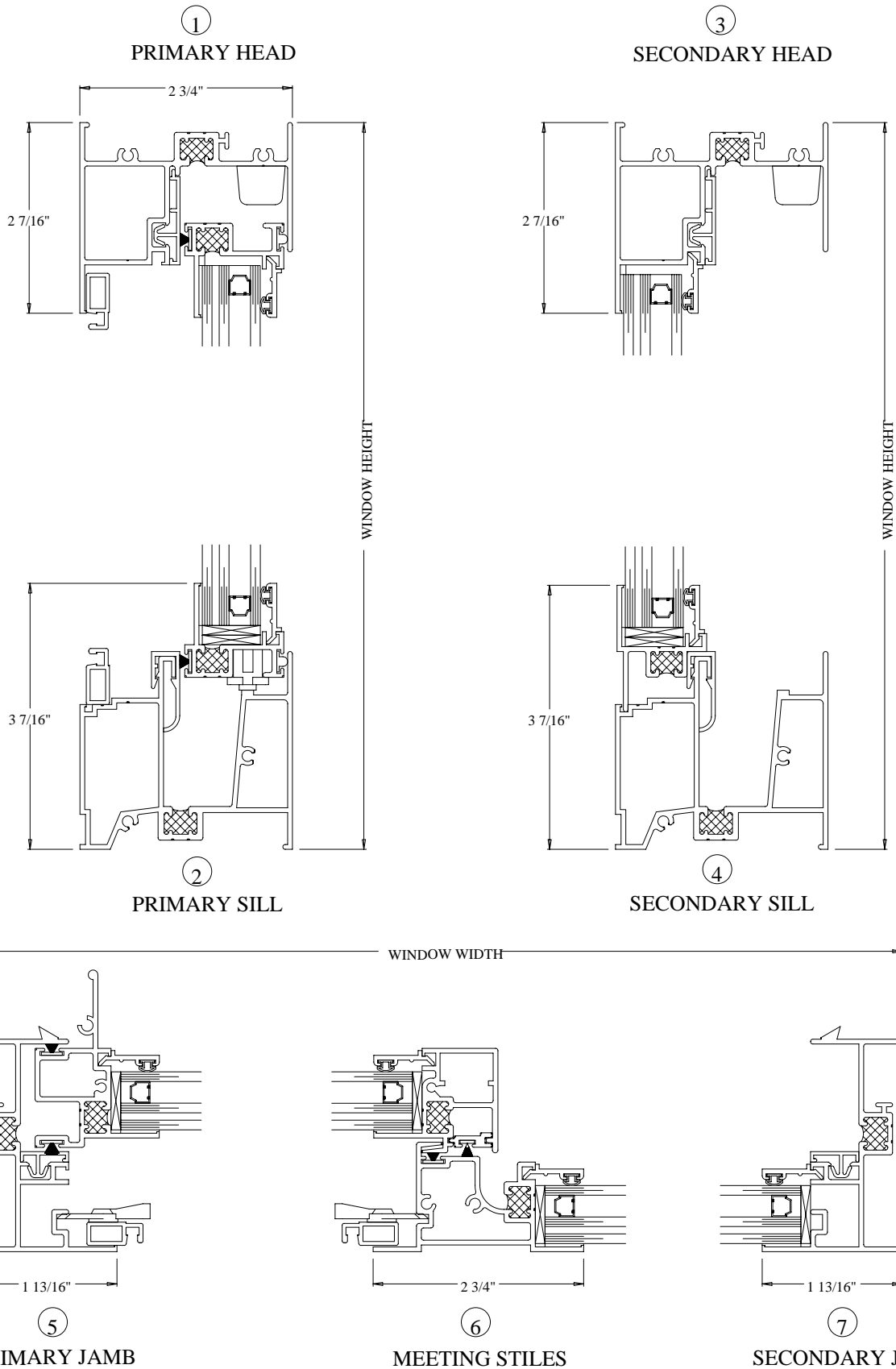
SERIES HR-942 HORIZONTAL SLIDING WINDOW



(NAILFIN OPTION)

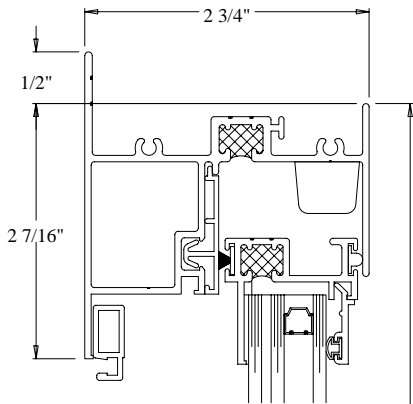


(FLANGE OPTION)

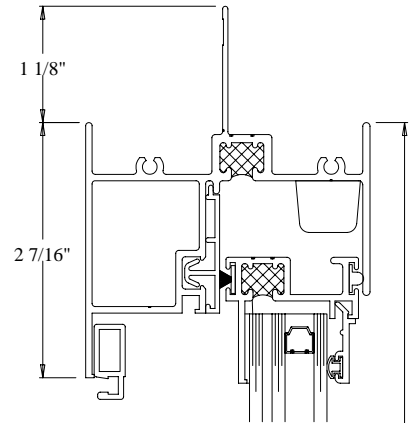




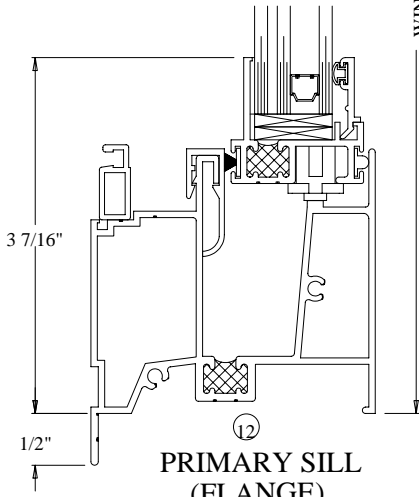
HALF SCALE SECTIONS



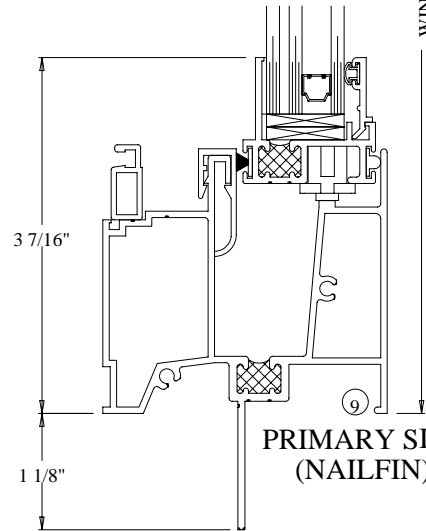
⑪
PRIMARY HEAD
(FLANGE)



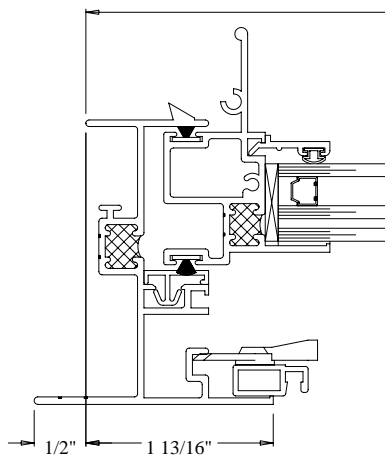
⑧
PRIMARY HEAD
(NAILFIN)



⑫
PRIMARY SILL
(FLANGE)

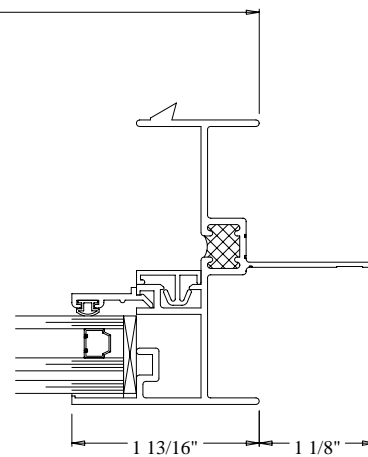


⑨
PRIMARY SILL
(NAILFIN)



⑬
PRIMARY JAMB
(FLANGE)

WINDOW WIDTH



⑩
SECONDARY JAMB
(NAILFIN)