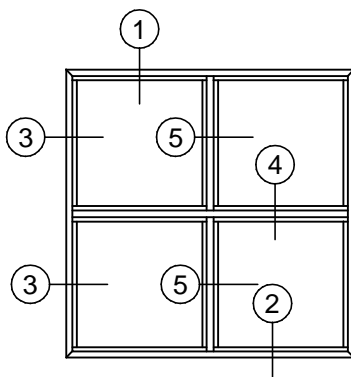
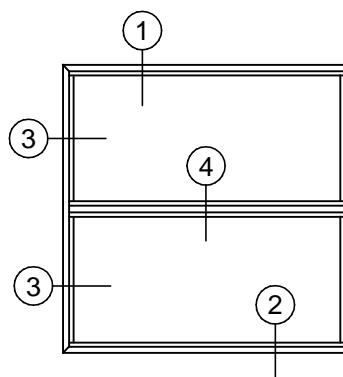
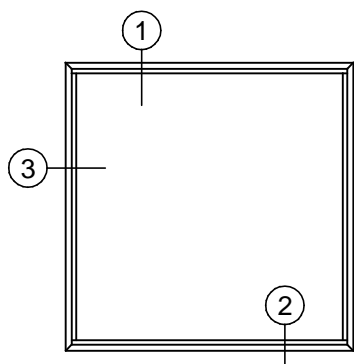


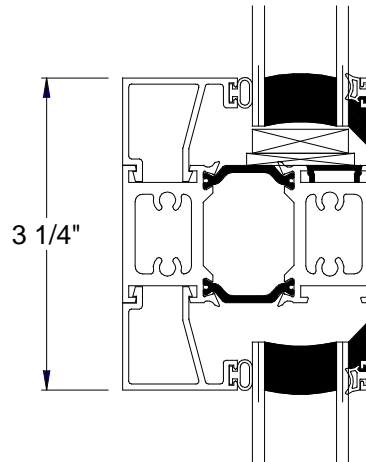
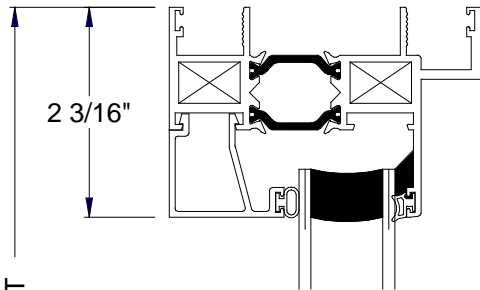
ELEVATIONS

SERIES NX-3800
FIXED



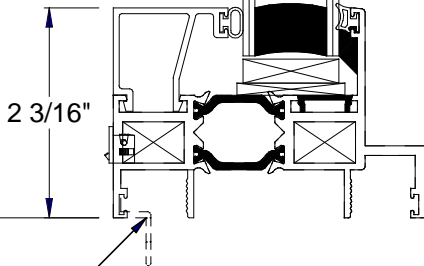
HALF SCALE DETAILS

① FIXED HEAD



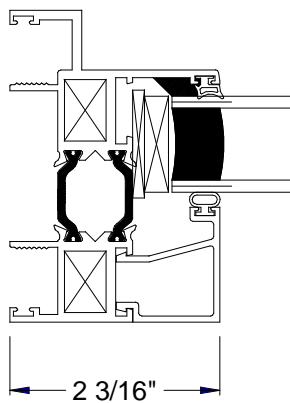
④ HORIZONTAL INTEGRAL
FIXED/FIXED MULLION

WINDOW HEIGHT

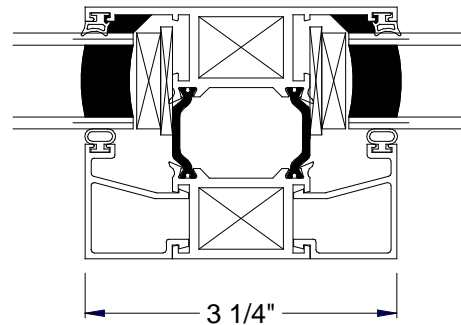


OPTIONAL
PANNING
LEG SILL

② FIXED SILL



③ FIXED JAMB



⑤ VERTICAL INTEGRAL
FIXED/FIXED MULLION