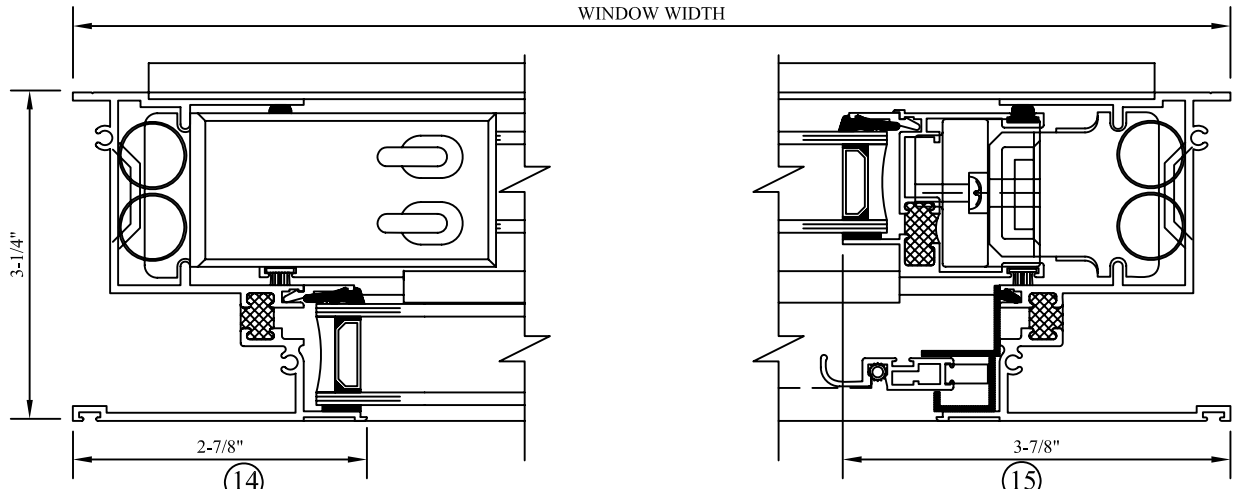


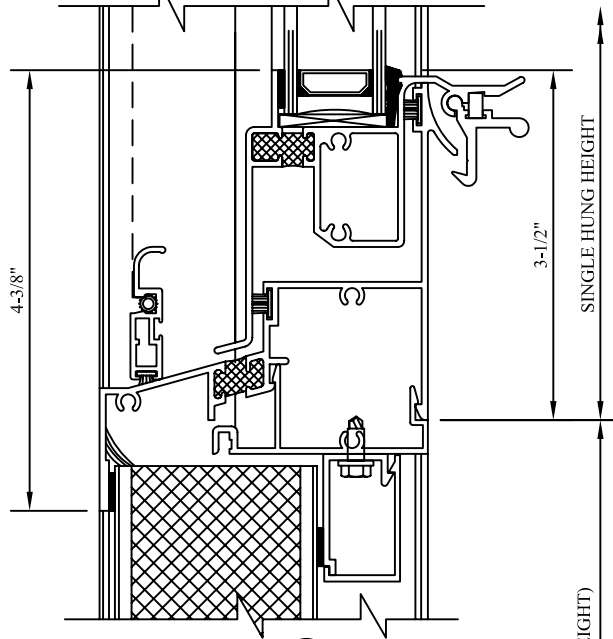


Please visit the SPZ electronic product catalog at www.traco.com for product specifications and additional section details.

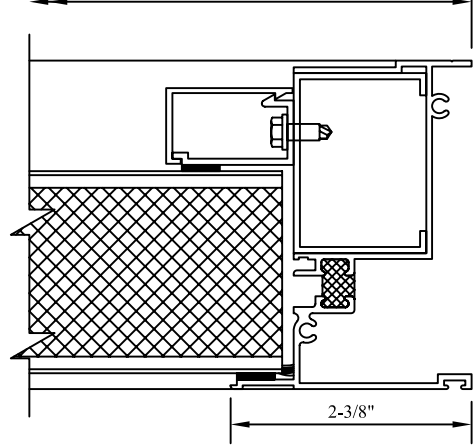


14 LEFT JAMB
(WITH CLASS 5 BALANCES)

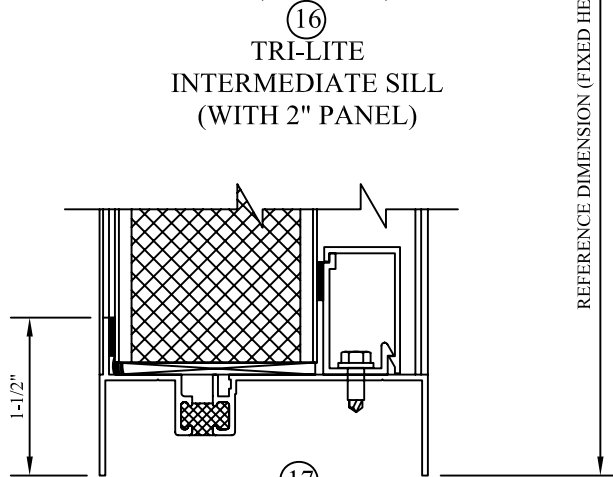
15 RIGHT JAMB
(WITH CLASS 5 BALANCES)
WINDOW WIDTH



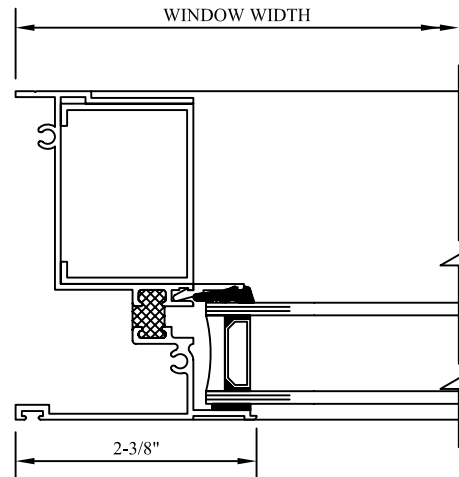
16 TRI-LITE
INTERMEDIATE SILL
(WITH 2" PANEL)



18 TRI-LITE FIXED JAMB
(WITH 2" PANEL)



17 FIXED SILL
(WITH 2" PANEL)



18 ALT.
TRI-LITE FIXED JAMB
(WITH ALTERNATE 1" INS. GLASS)