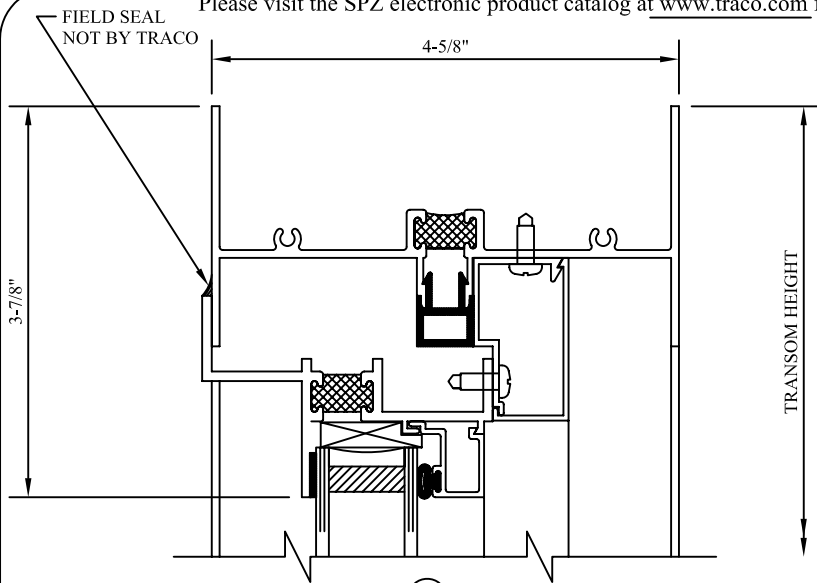
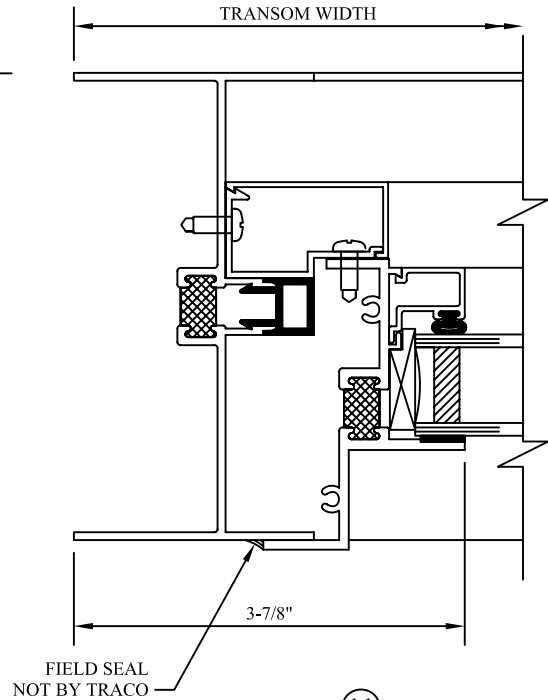




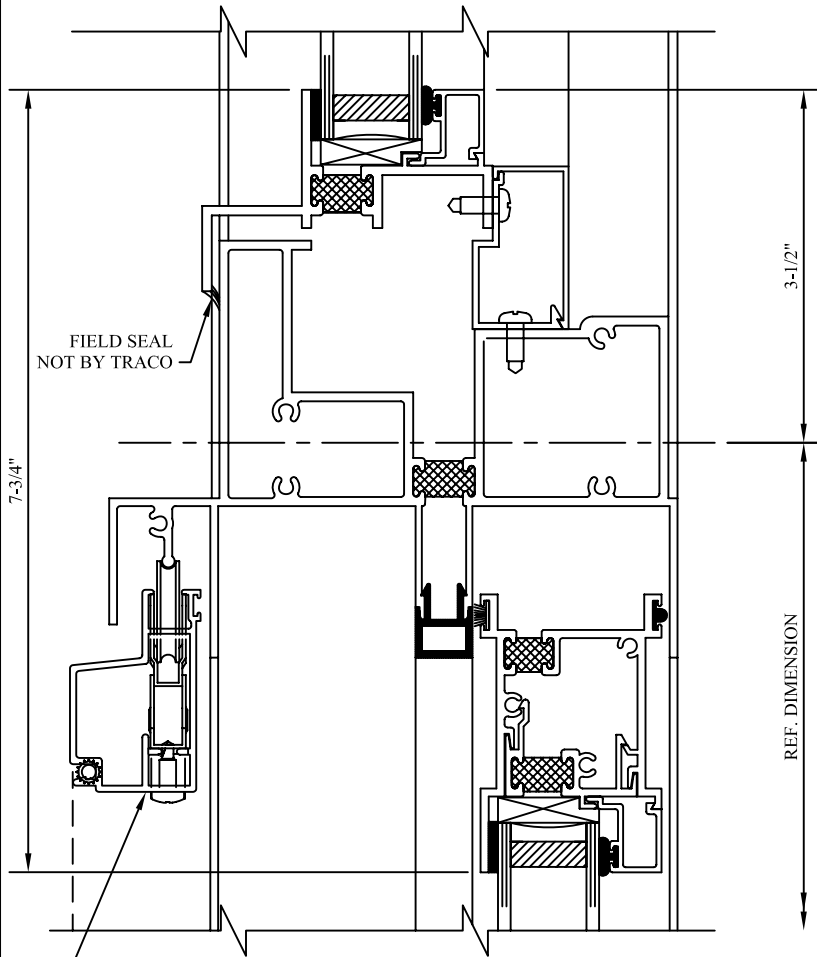
Please visit the SPZ electronic product catalog at www.traco.com for product specifications and additional section details.



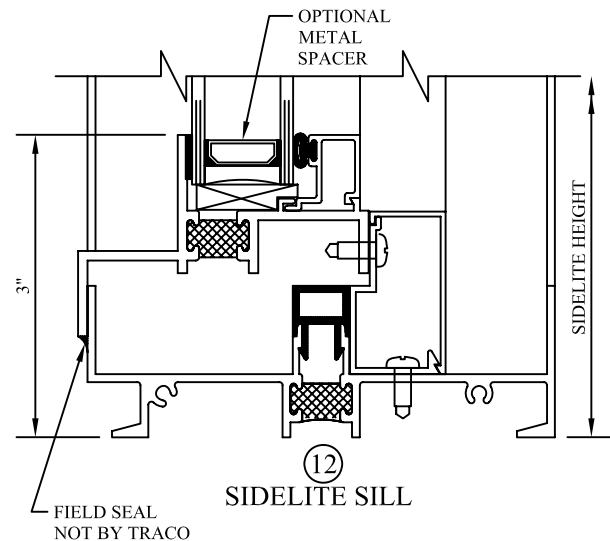
9
TRANSOM HEAD



11
TRANSOM LEFT JAMB



10
HORIZONTAL INTEGRAL MULLION
TRANSOM/OPERATING



12
SIDELITE SILL