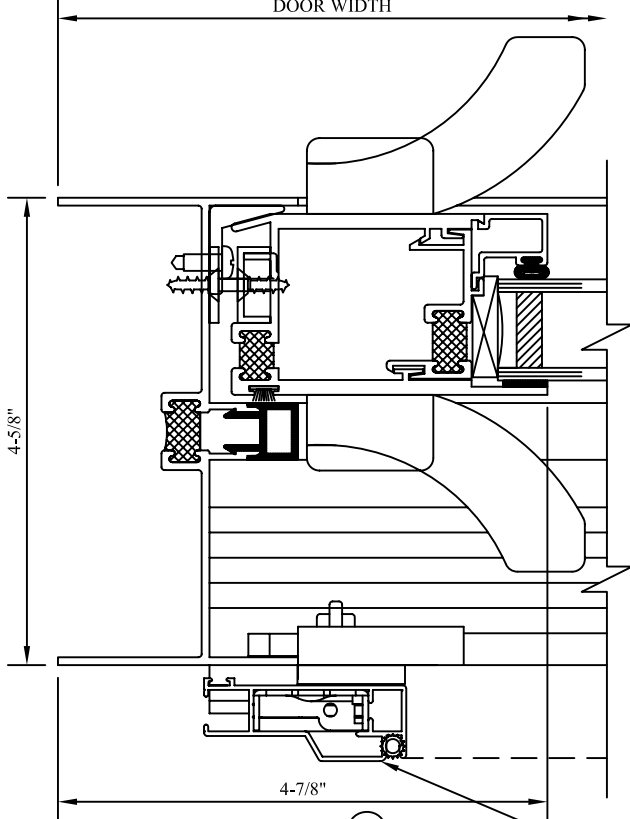
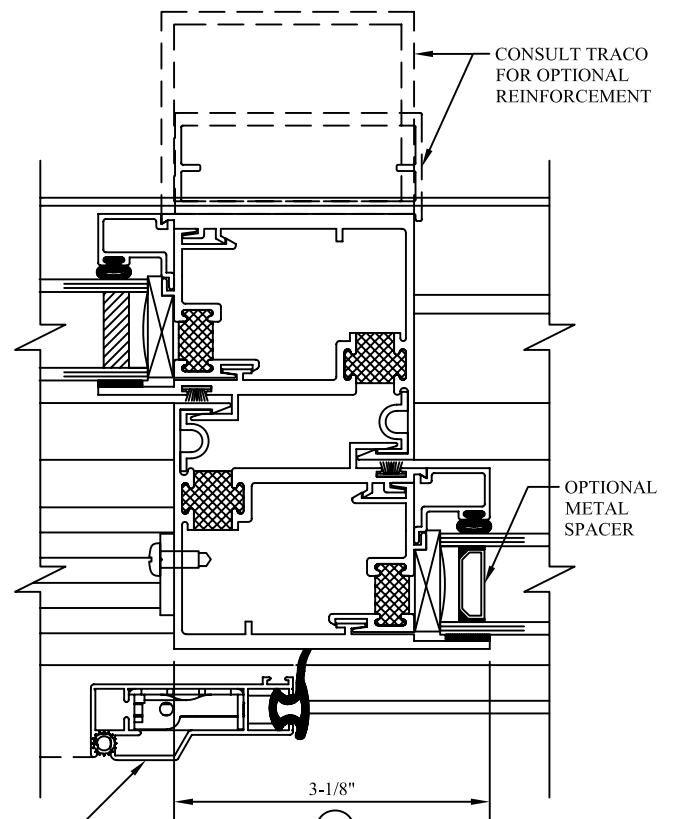




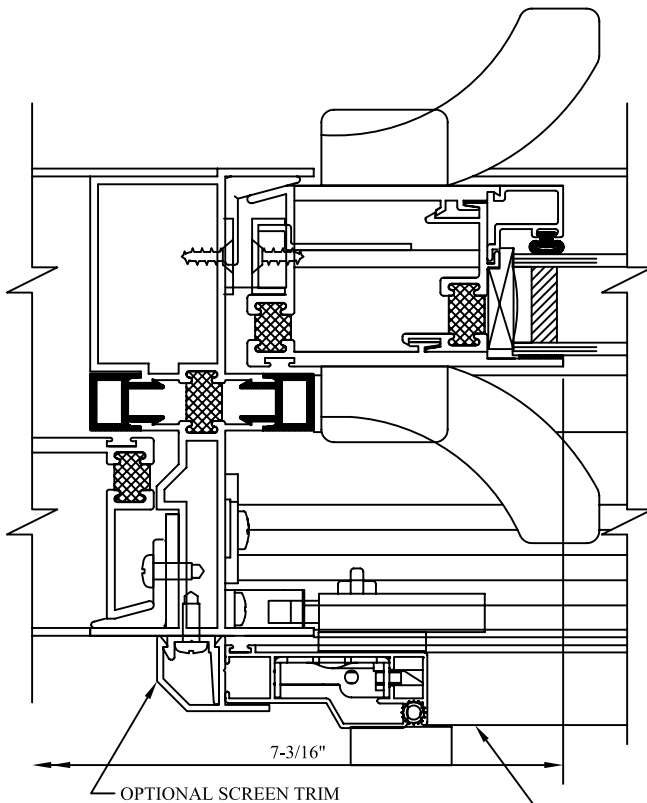
Please visit the SPZ electronic product catalog at www.traco.com for product specifications and additional section details.



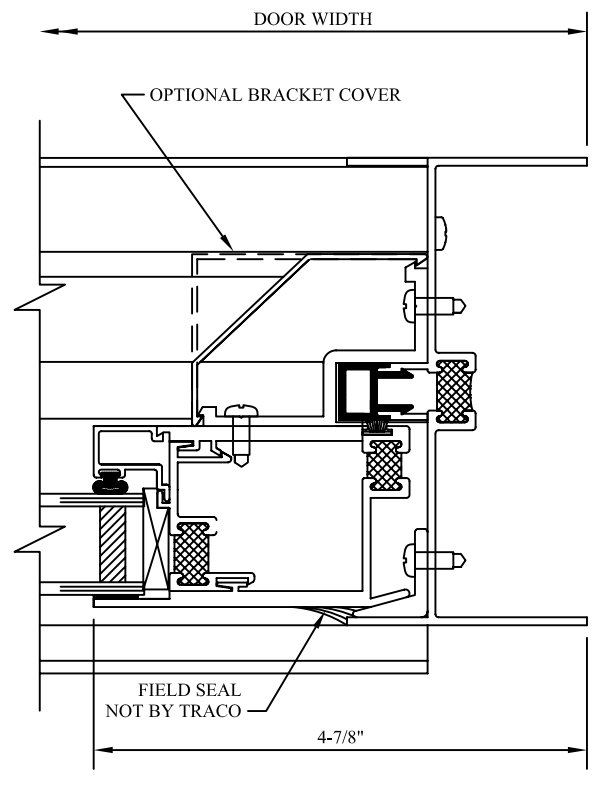
5
OPERATING JAMB



6
MEETING STILES



8
INTERMEDIATE MULLION



7
FIXED RIGHT JAMB