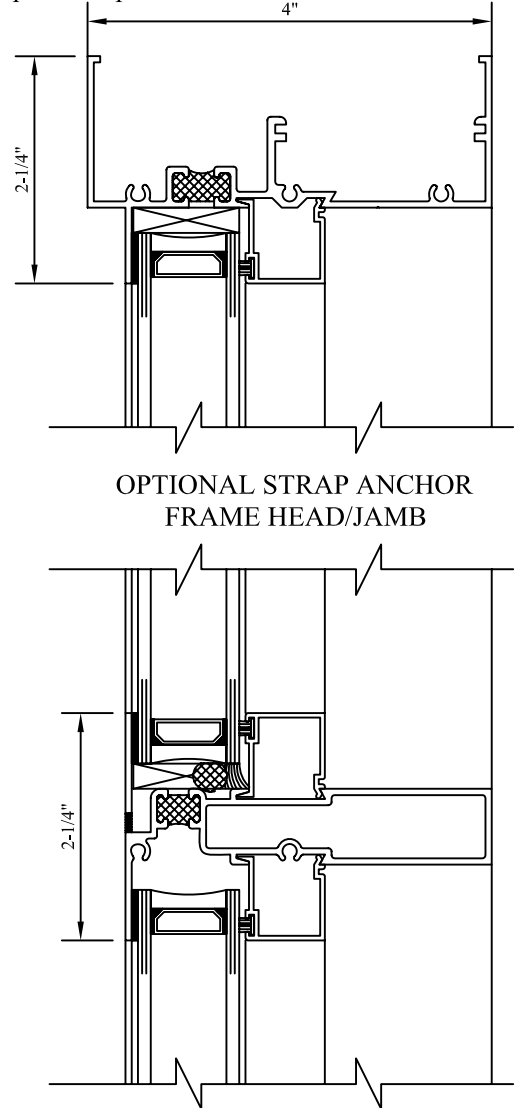
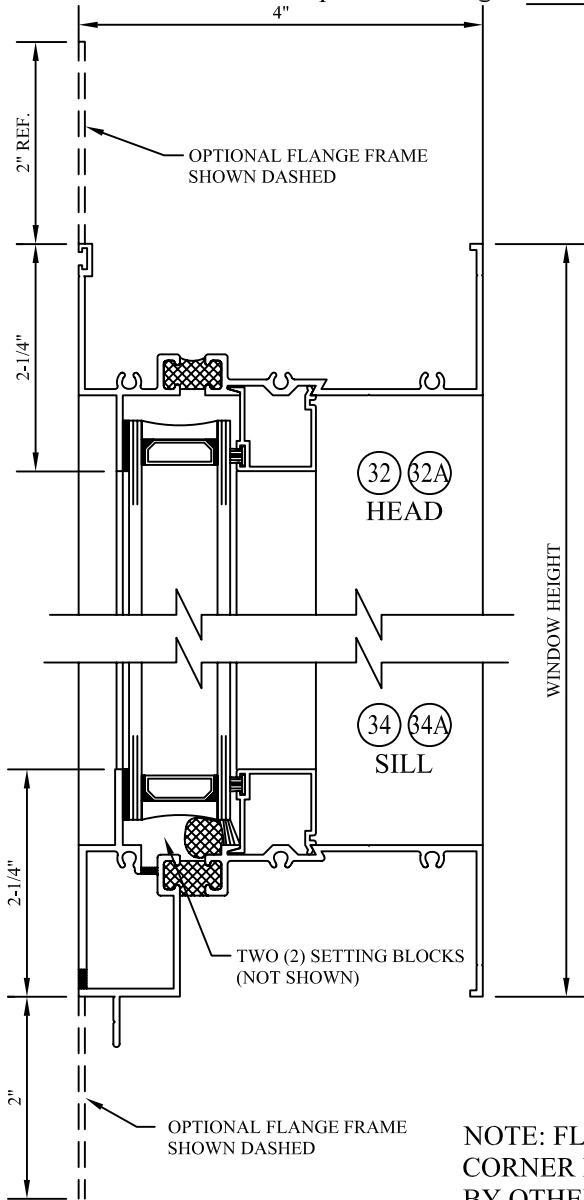




Please visit the SPZ electronic product catalog at www.traco.com for product specifications and additional section details.



NOTE: FLANGE FRAME
CORNER BACKSEALING
BY OTHERS

(33)
HORIZ. INTEGRAL MULLION

