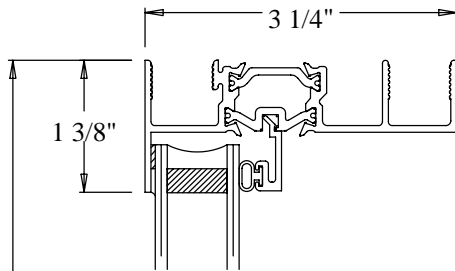
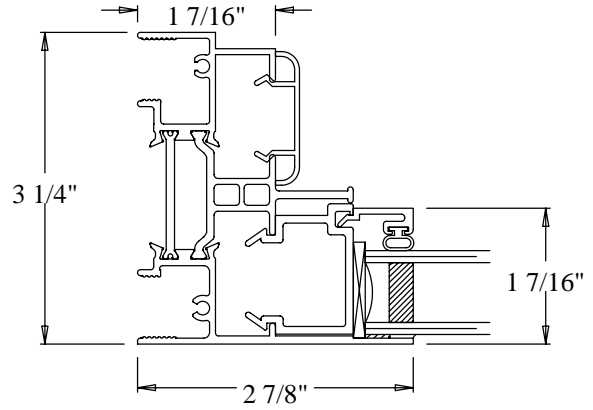




⑨ FIXED HEAD

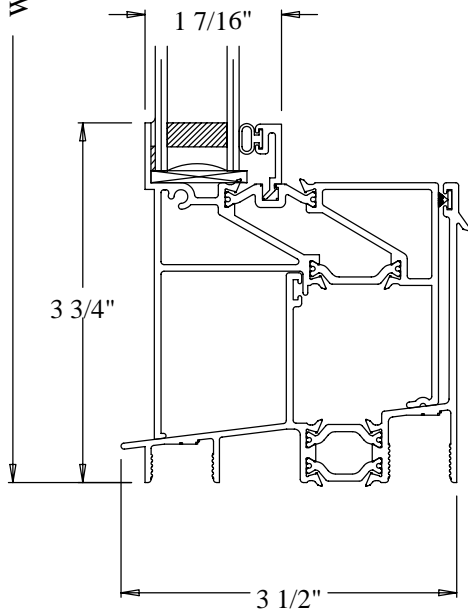


⑪ FIXED JAMB



WINDOW HEIGHT

⑩ FIXED SILL



⑫ H-MULL TRANSITION MULLION

