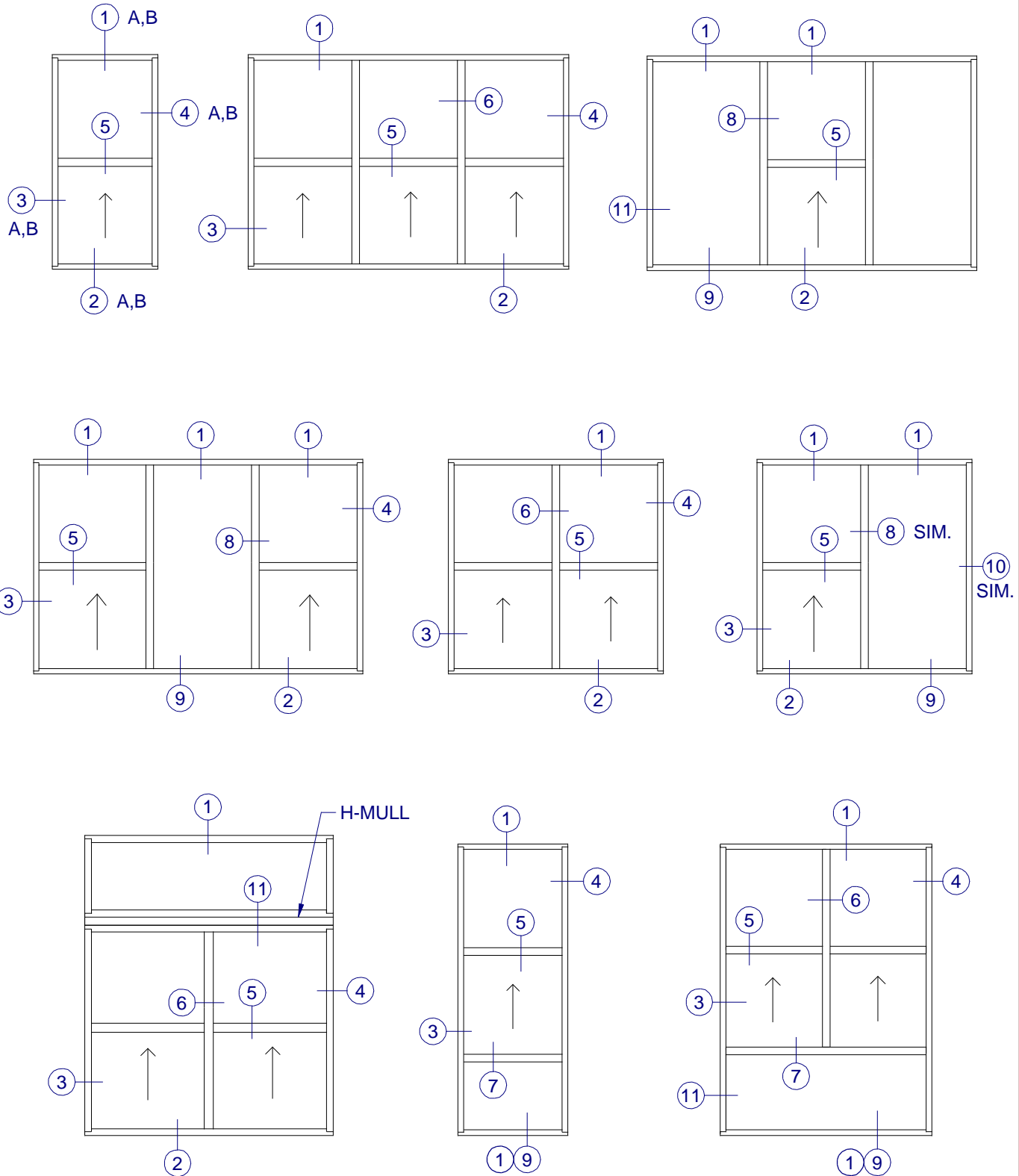
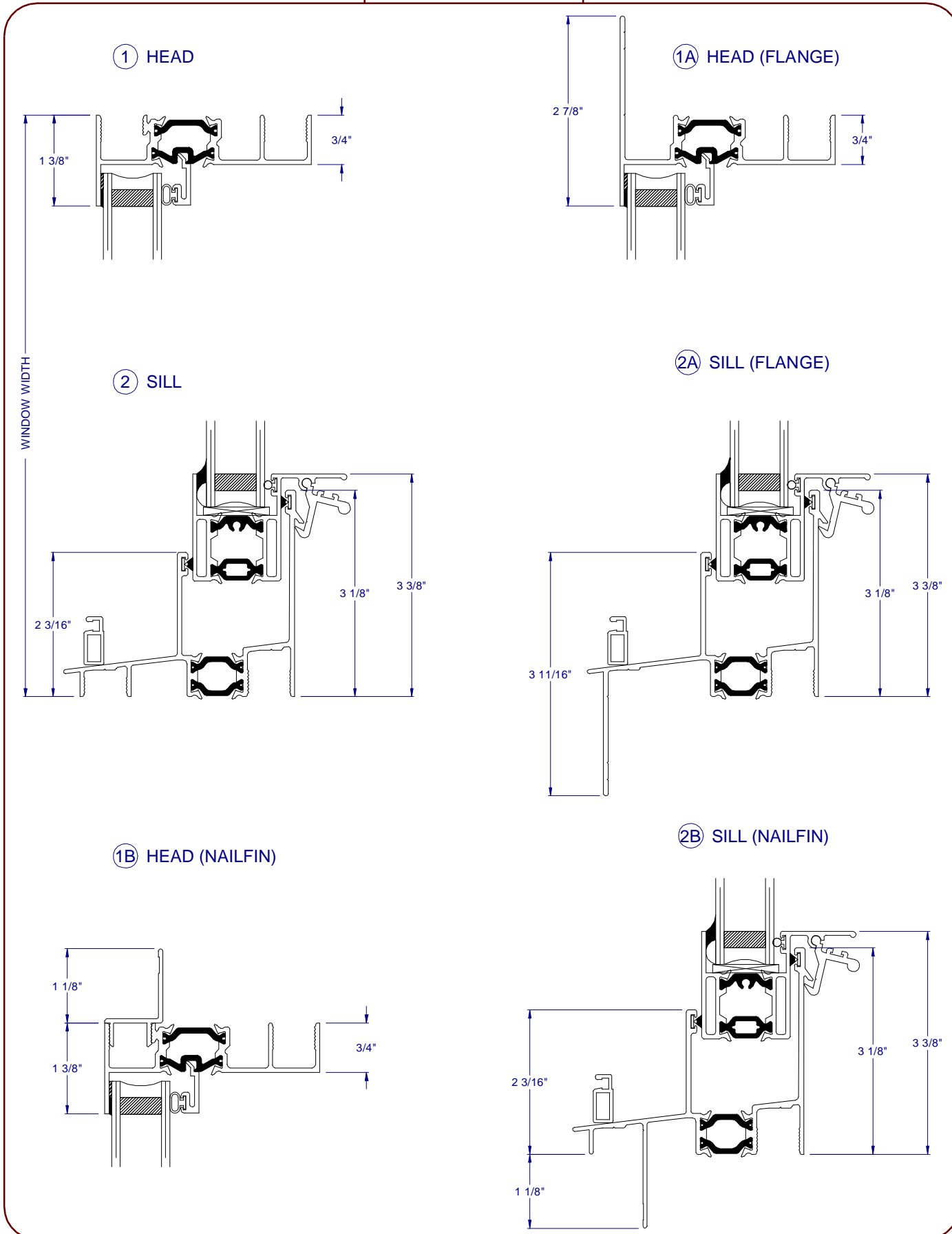


ELEVATIONS

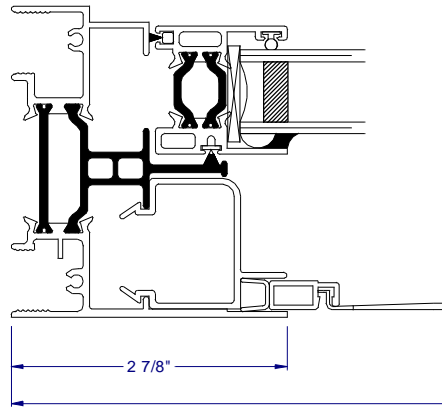
SERIES NX-540  
SINGLE HUNG TILT



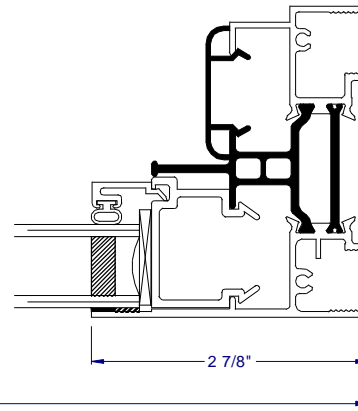
HALF SCALE SECTIONS



③ LEFT JAMB

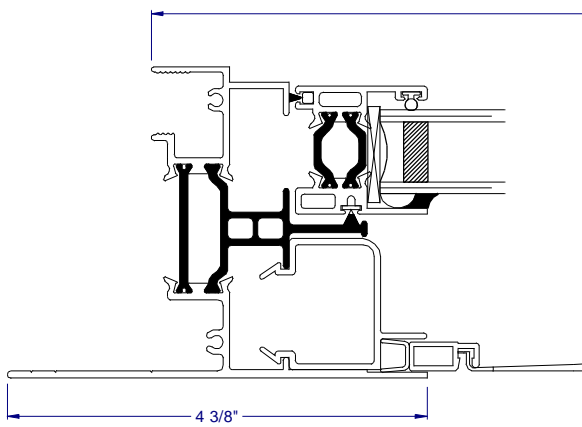


④ RIGHT JAMB



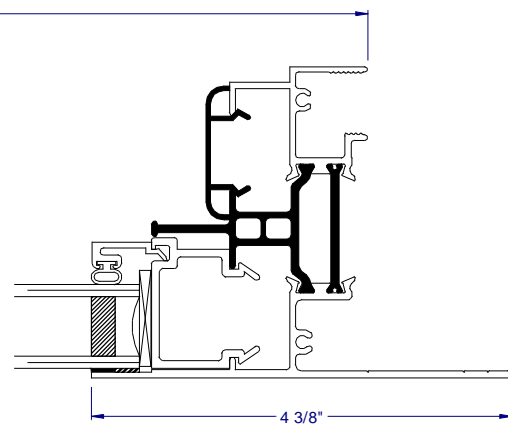
WINDOW WIDTH

③A LEFT JAMB (FLANGE)

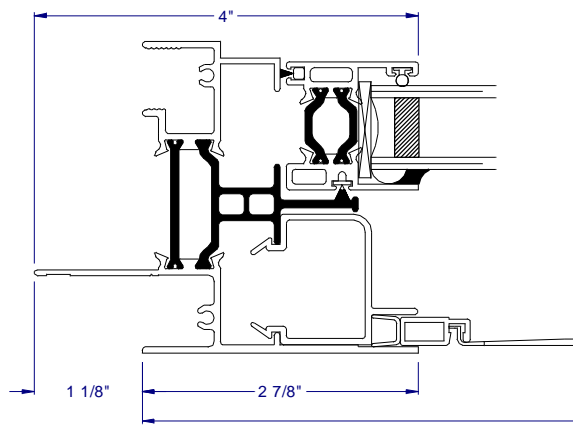


WINDOW WIDTH

④A RIGHT JAMB (FLANGE)

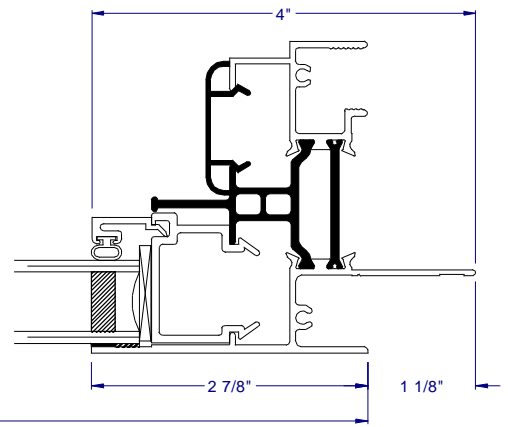


③B LEFT JAMB (NAILFIN)

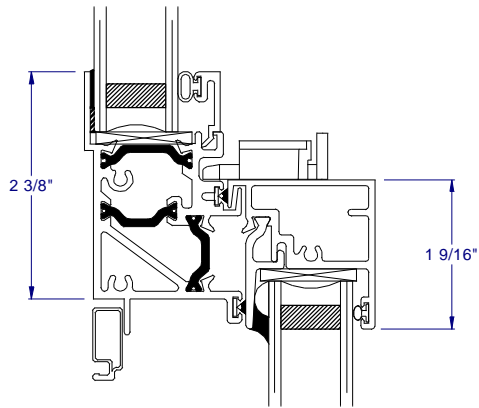


WINDOW WIDTH

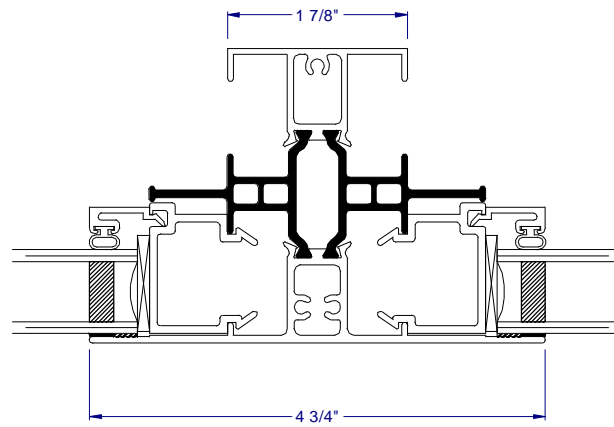
④B RIGHT JAMB (NAILFIN)



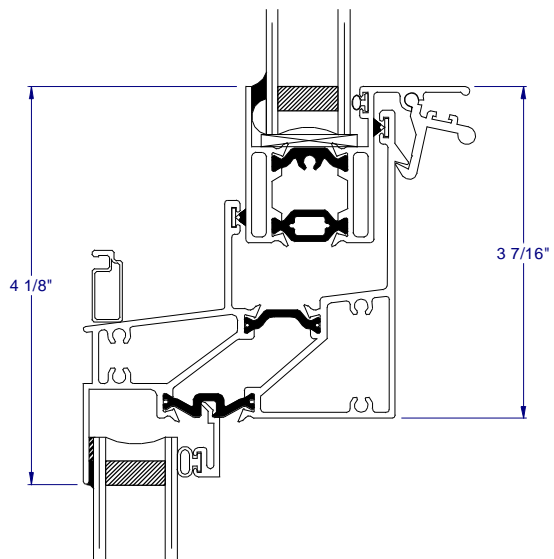
⑤ MEETING RAIL



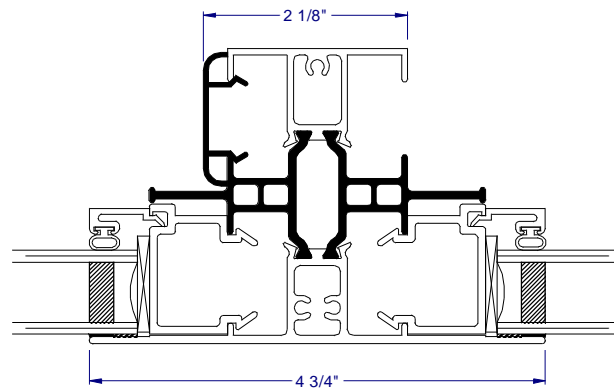
⑥ VERTICAL INTEGRAL MULLION



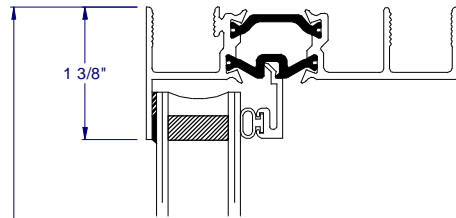
⑦ HORIZONTAL INTEGRAL MULLION



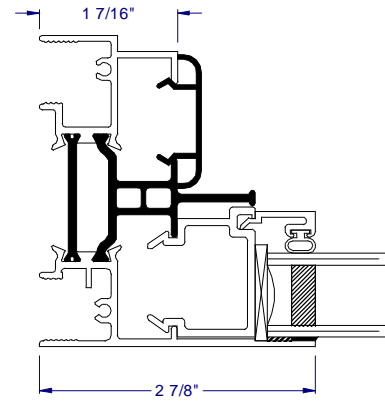
⑧ VERTICAL INTEGRAL MULLION  
(FIXED/SINGLE HUNG)



① FIXED HEAD

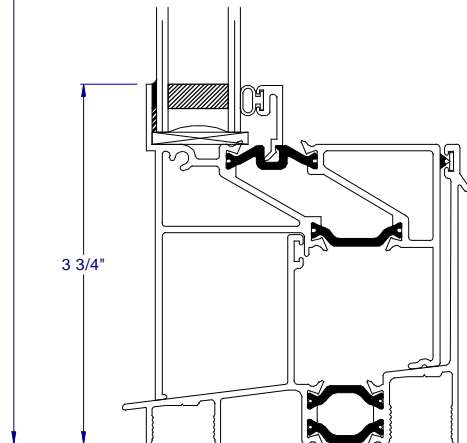


⑩ FIXED JAMB



WINDOW HEIGHT

⑨ FIXED SILL



⑪ H-MULL TRANSITION MULLION

