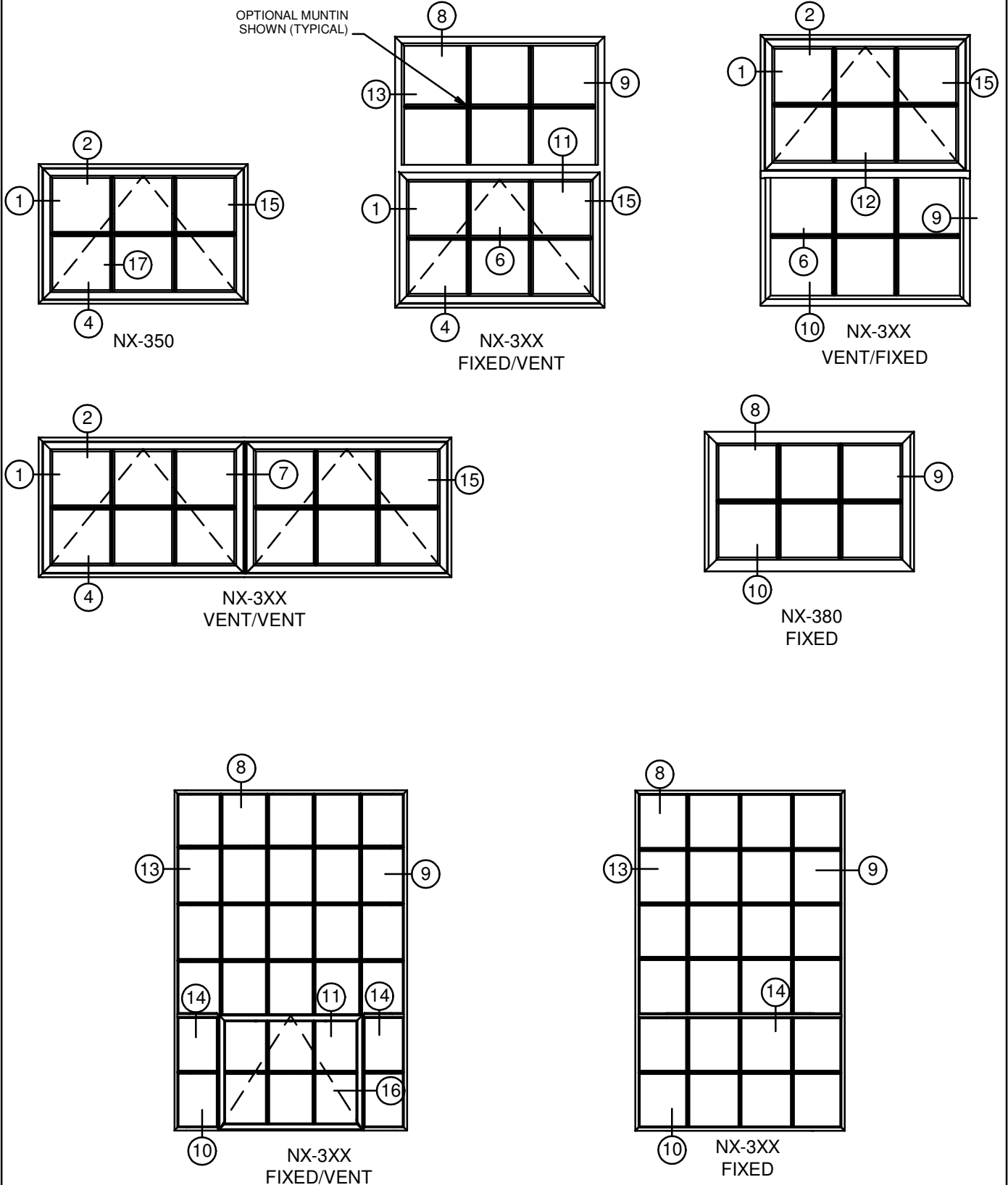
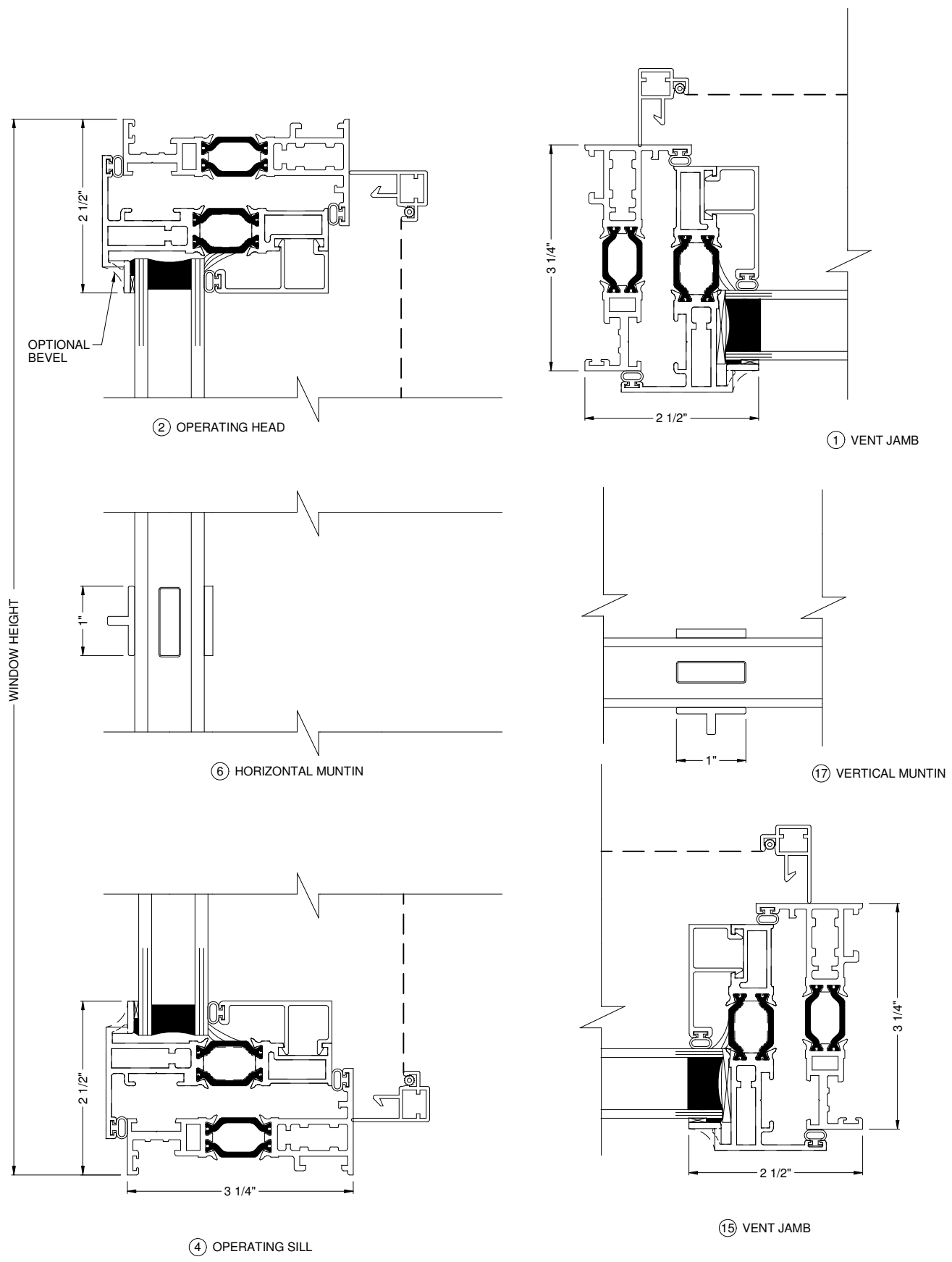


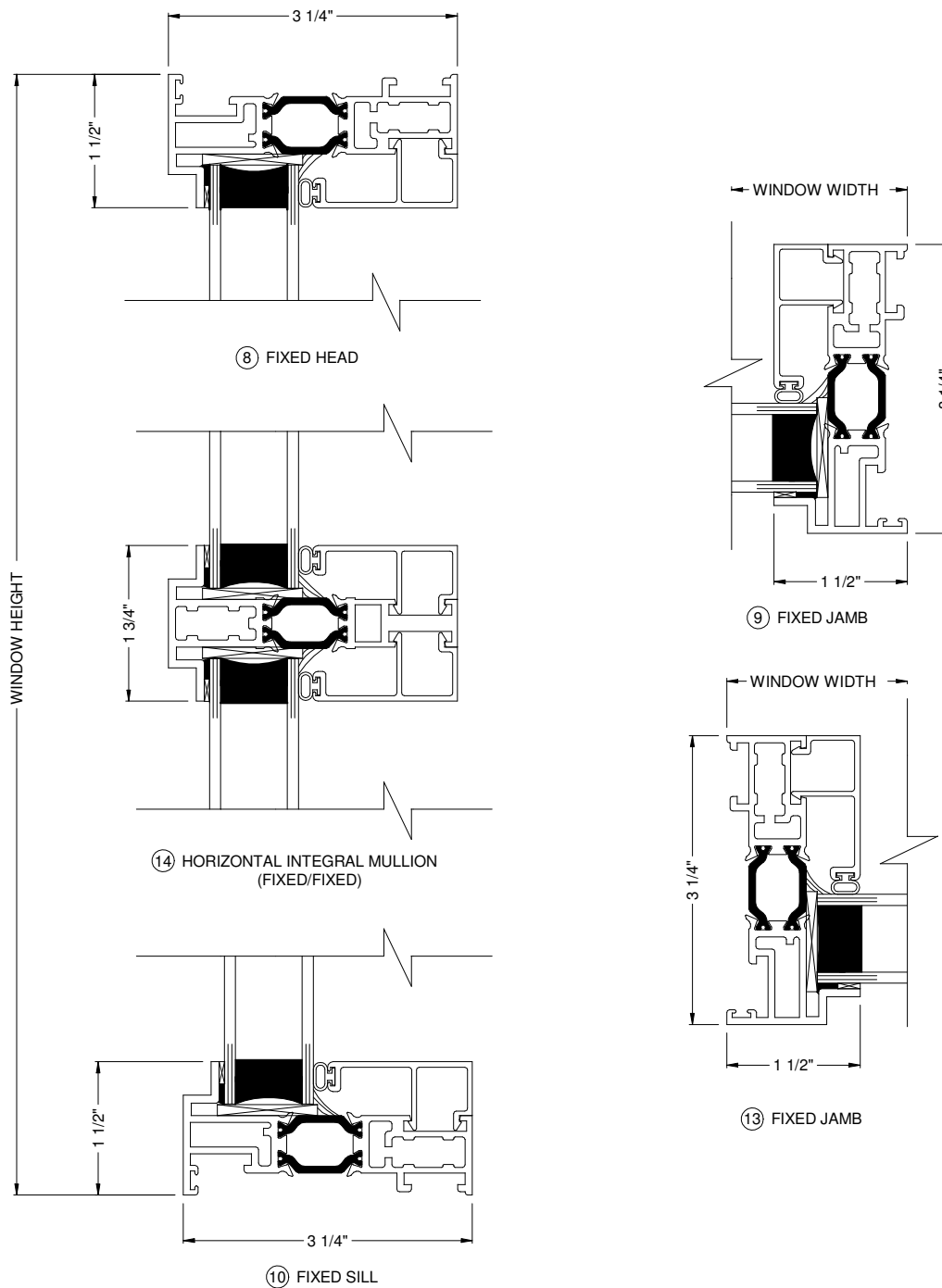
ELEVATIONS



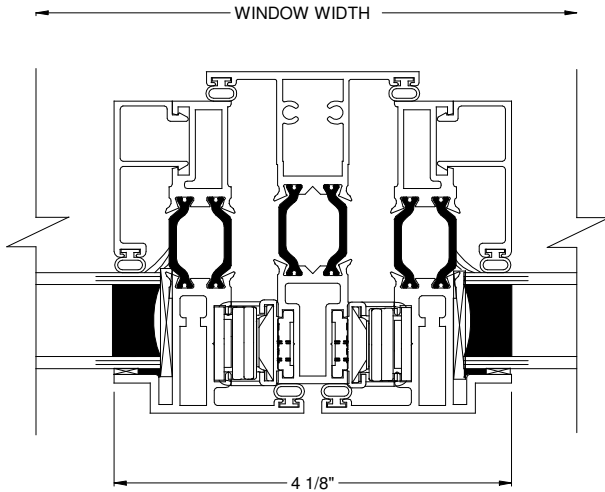
HALF SCALE SECTIONS



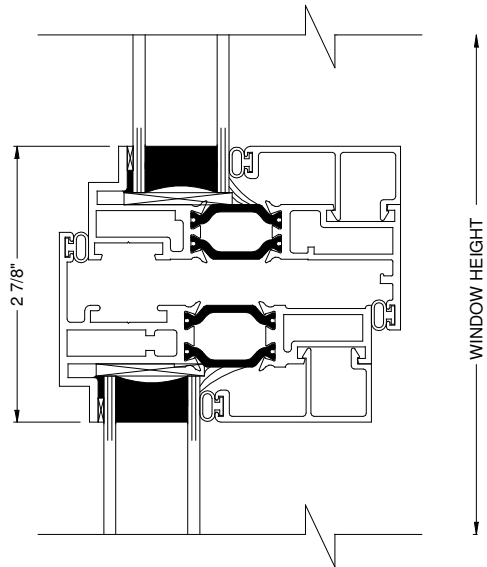
HALF SCALE SECTIONS



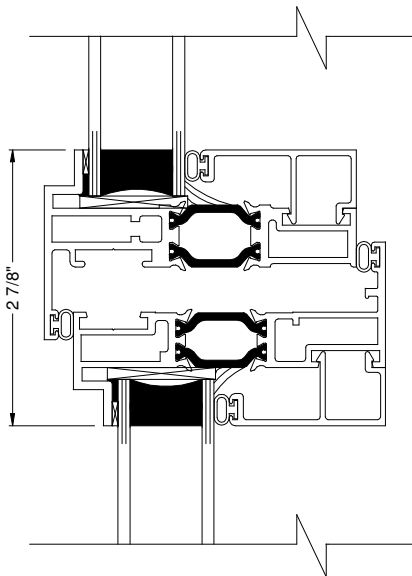
HALF SCALE SECTIONS



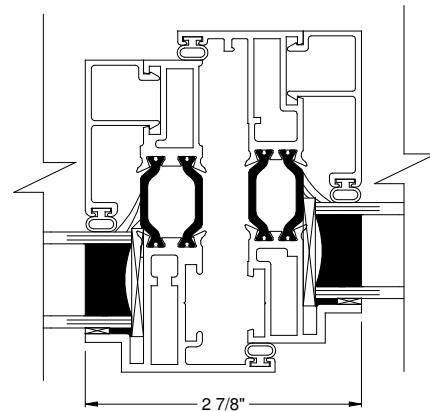
⑦ VERTICAL INTEGRAL MULLION  
(VENT/VENT)



⑪ HORIZONTAL INTEGRAL MULLION  
(FIXED/VENT)



⑫ HORIZONTAL INTEGRAL MULLION  
(VENT/FIXED)



⑯ VERTICAL INTEGRAL MULLION  
(VENT/FIXED)