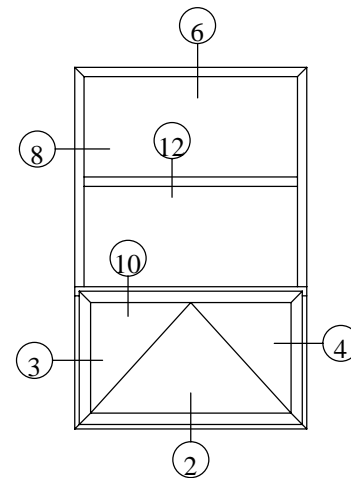
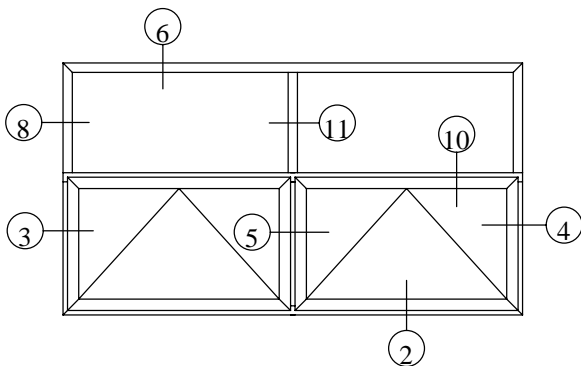
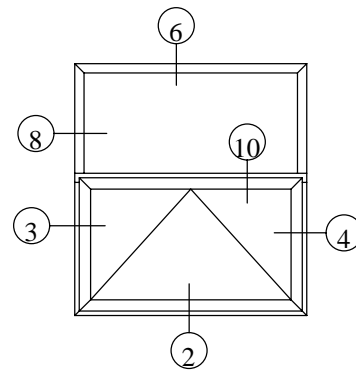
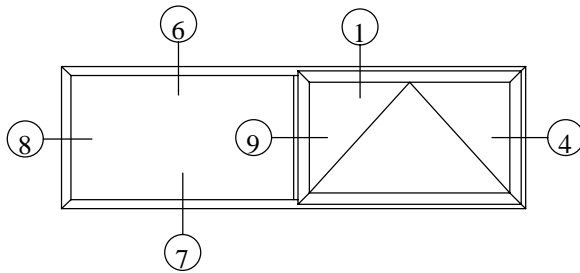
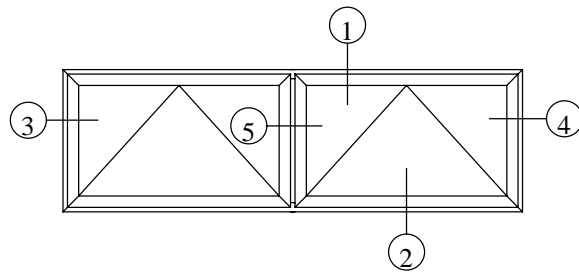
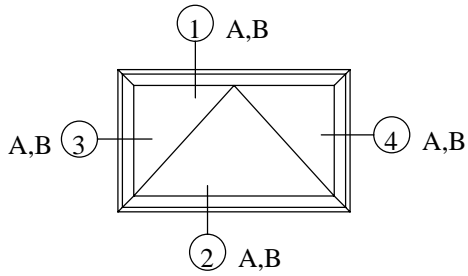


ELEVATIONS

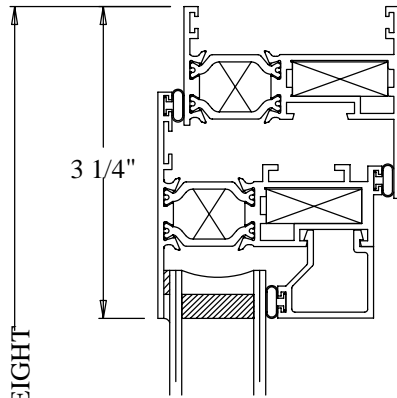
SERIES NX-250  
PROJECT OUT





## HALF SCALE SECTIONS

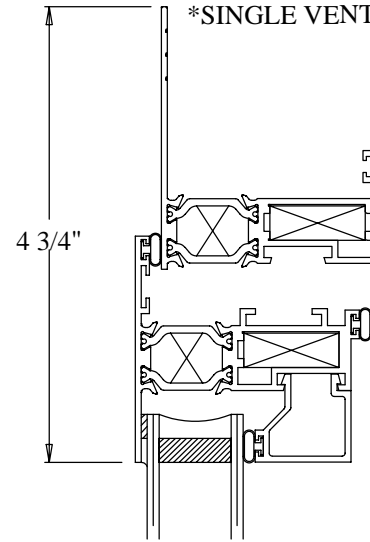
① VENT HEAD



WINDOW HEIGHT

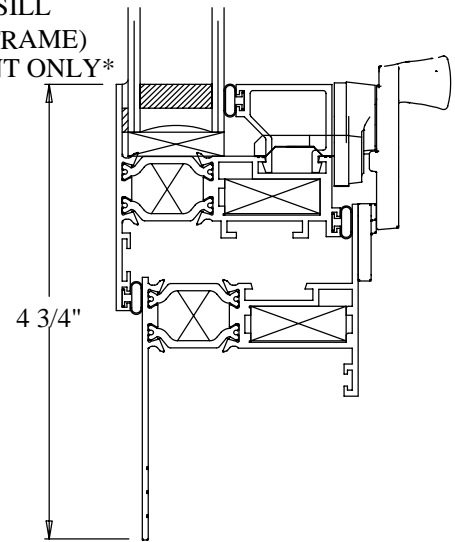
①A VENT HEAD  
(FLANGE FRAME)

\*SINGLE VENT ONLY\*

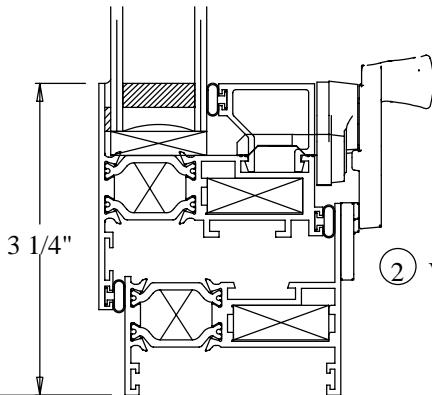


②A VENT SILL  
(FLANGE FRAME)

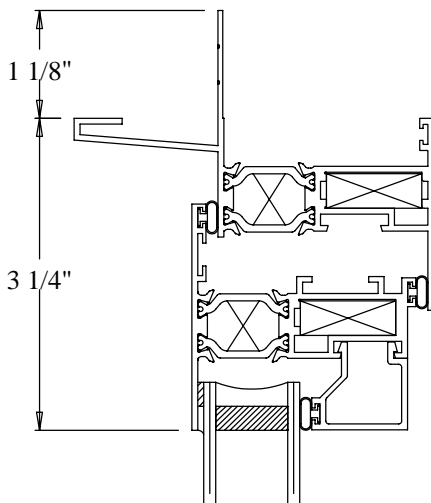
\*SINGLE VENT ONLY\*



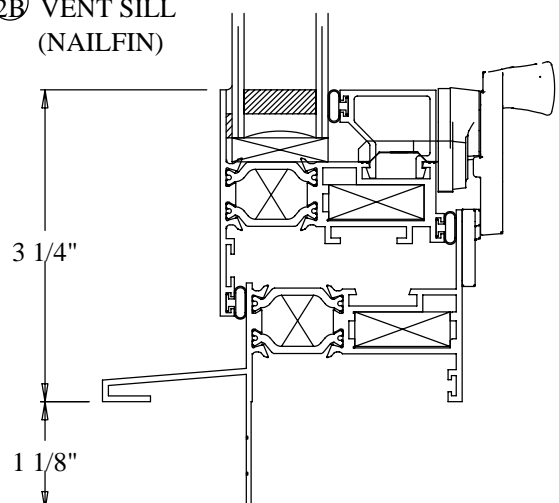
② VENT SILL



①B VENT HEAD  
(NAILFIN)



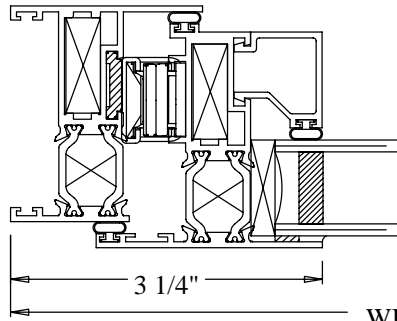
②B VENT SILL  
(NAILFIN)



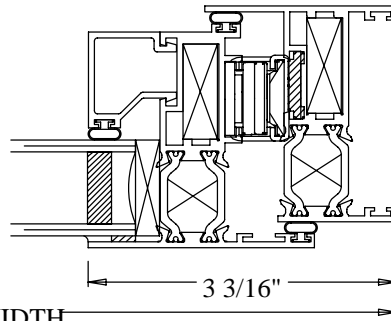


### HALF SCALE SECTIONS

③ VENT JAMB

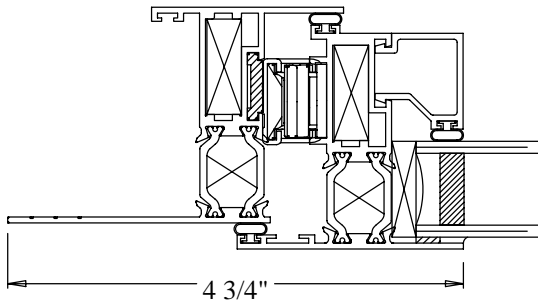


④ VENT JAMB

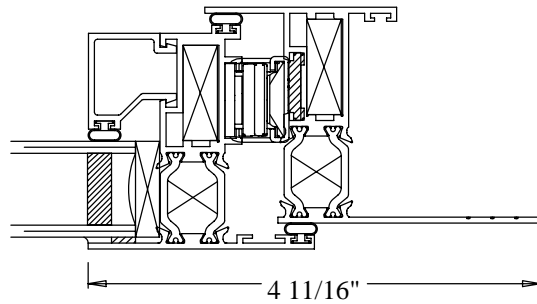


WINDOW WIDTH

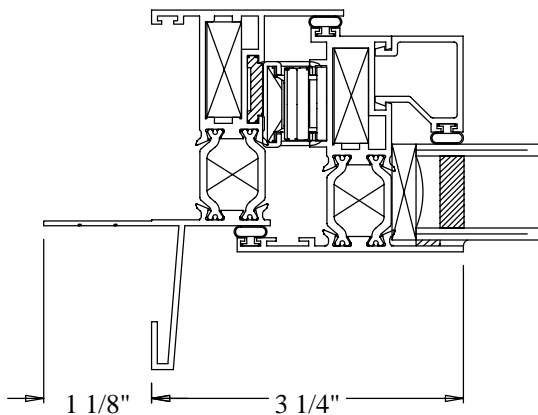
③A VENT JAMB  
(FLANGE FRAME)  
\*SINGLE VENT ONLY\*



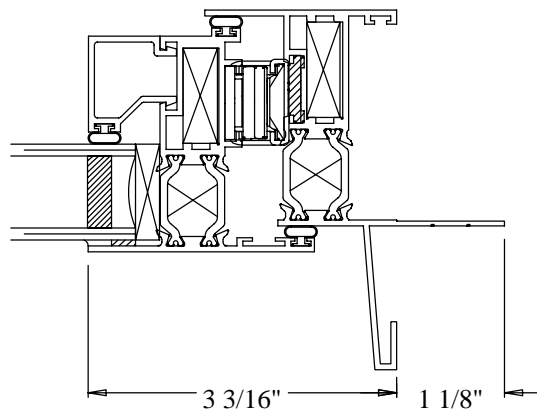
④A VENT JAMB  
(FLANGE FRAME)  
\*SINGLE VENT ONLY\*



③B VENT JAMB  
(NAILFIN)

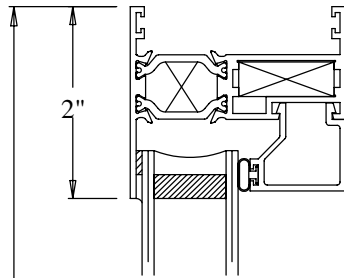


④B VENT JAMB  
(NAILFIN)

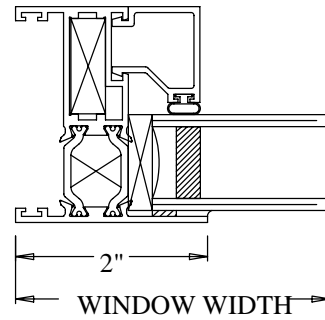


HALF SCALE SECTIONS

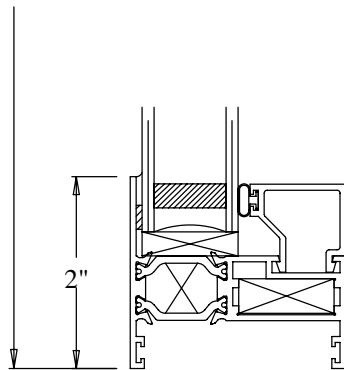
⑥ FIXED HEAD



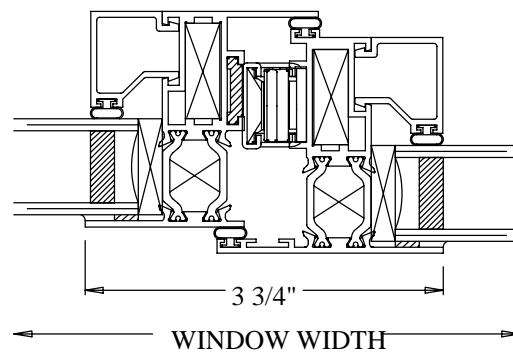
⑧ FIXED JAMB



WINDOW HEIGHT



⑦ FIXED SILL

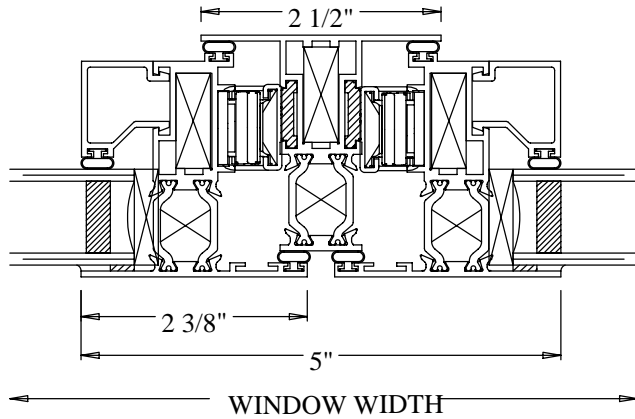


⑨ VERTICAL INTEGRAL MULLION  
(FIXED/VENT)

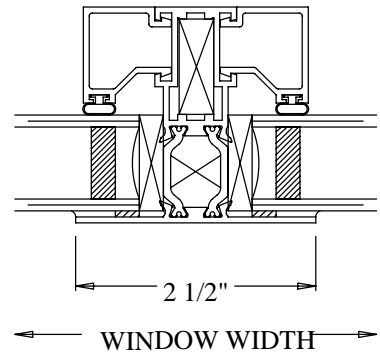


## HALF SCALE SECTIONS

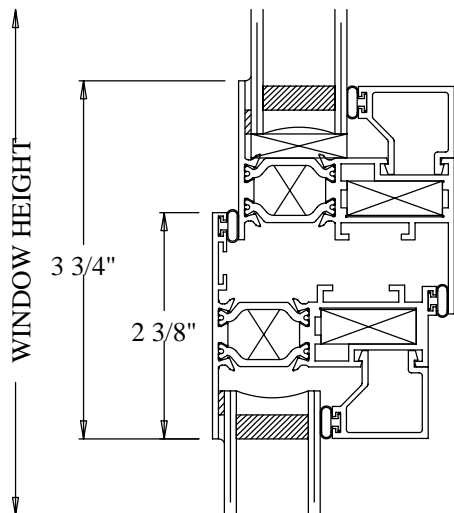
⑤ VERTICAL INTEGRAL MULLION  
(VENT/VENT)



⑪ VERTICAL INTEGRAL MULLION  
(VENT/VENT)



⑩ HORIZONTAL INTEGRAL MULLION  
(FIXED/VENT)



⑫ HORIZONTAL INTEGRAL MULLION  
(FIXED/FIXED)

