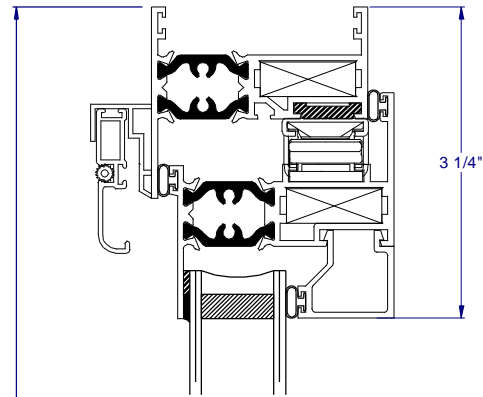
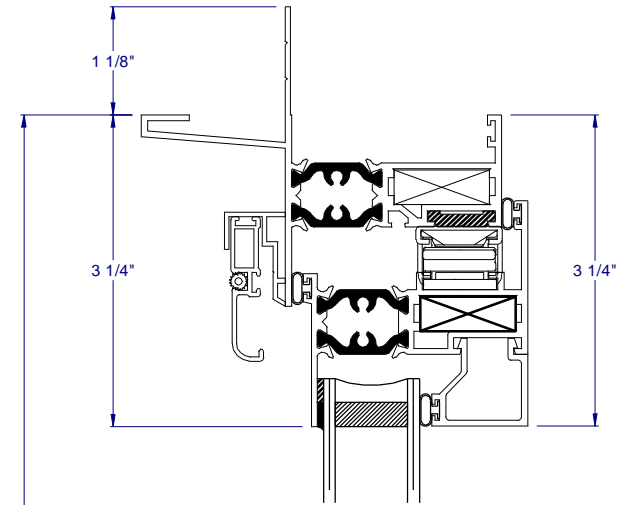


HALF SCALE SECTIONS

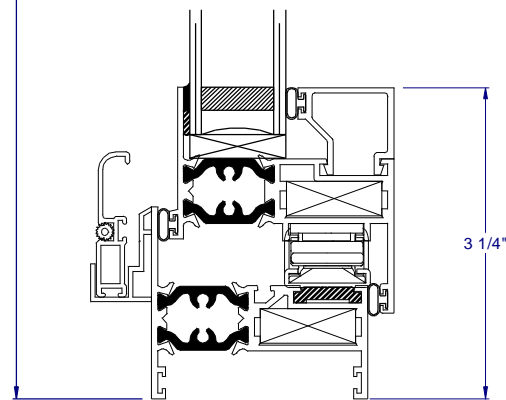
① VENT HEAD



①A VENT HEAD  
(NAILFIN)



② VENT SILL



②A VENT SILL  
(NAILFIN)

