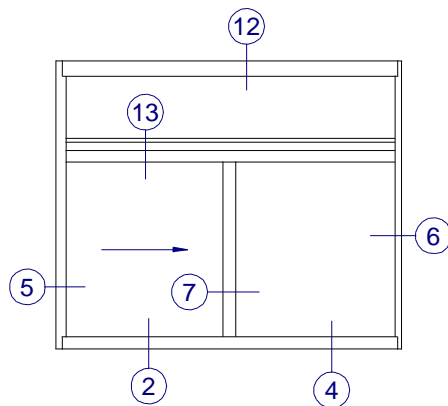
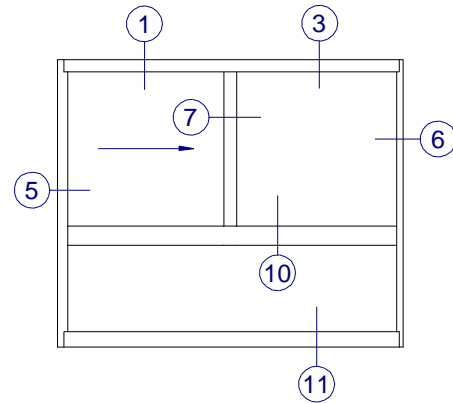
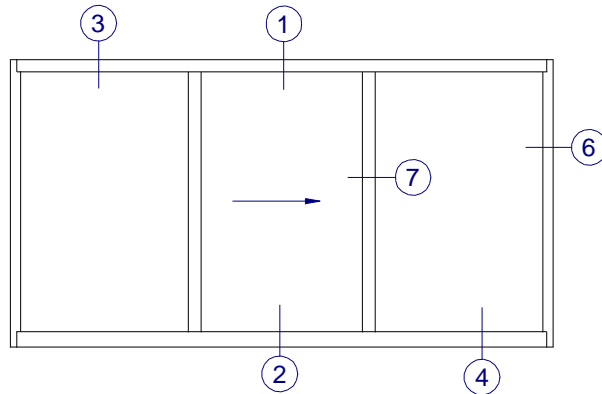
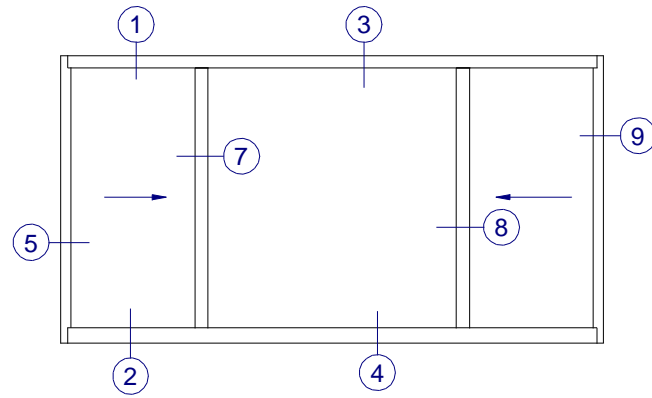
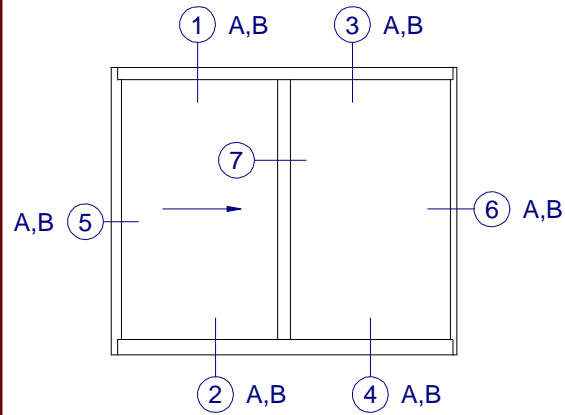
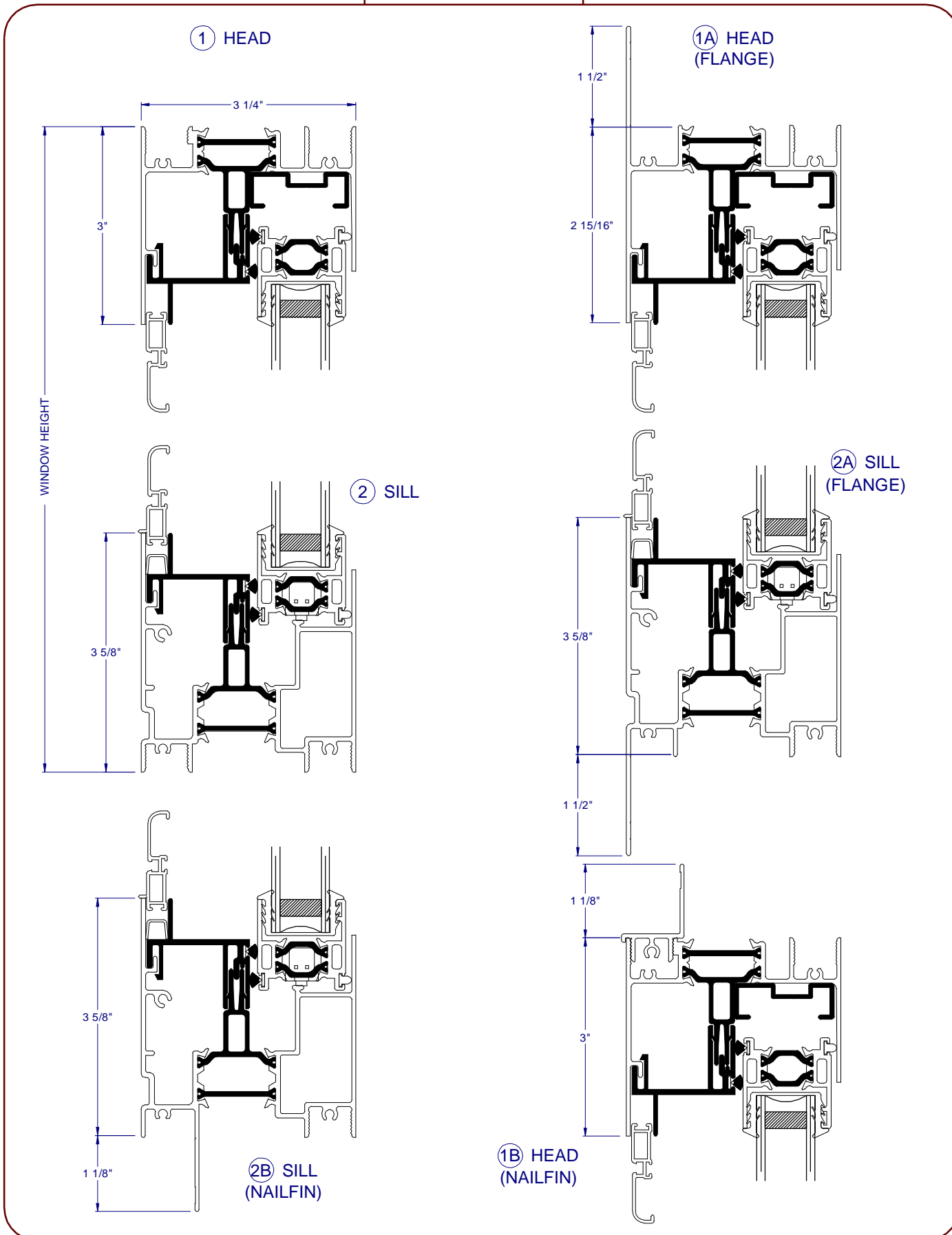


ELEVATIONS

SERIES NX-6400  
SINGLE SLIDE

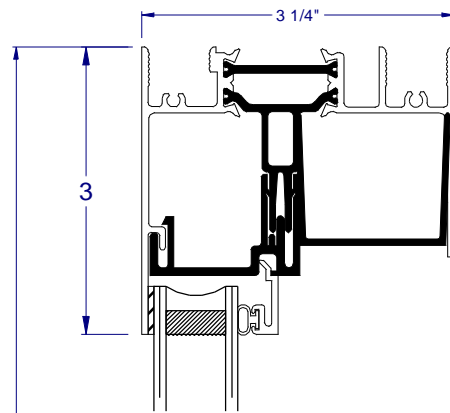


HALF SCALE SECTIONS

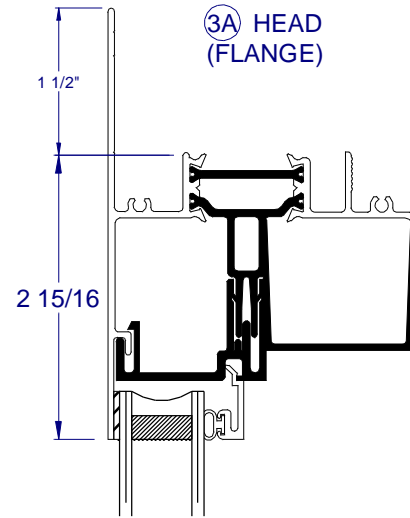


HALF SCALE SECTIONS

③ HEAD

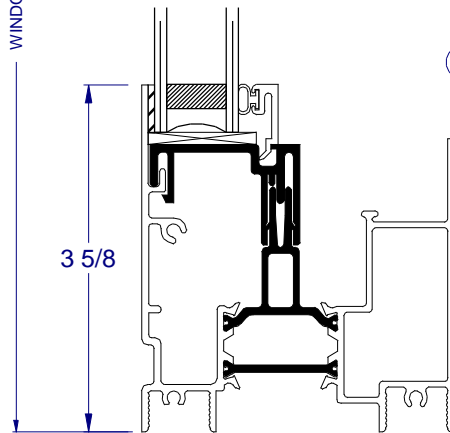


③A HEAD  
(FLANGE)

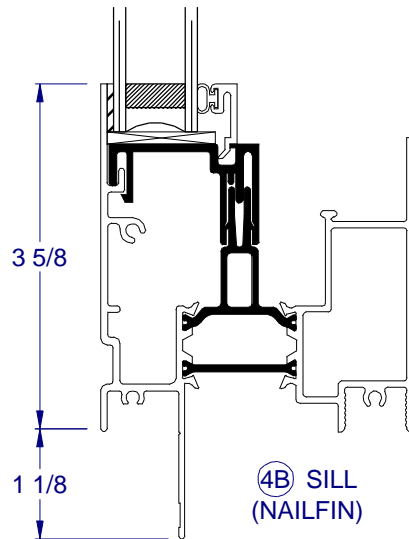
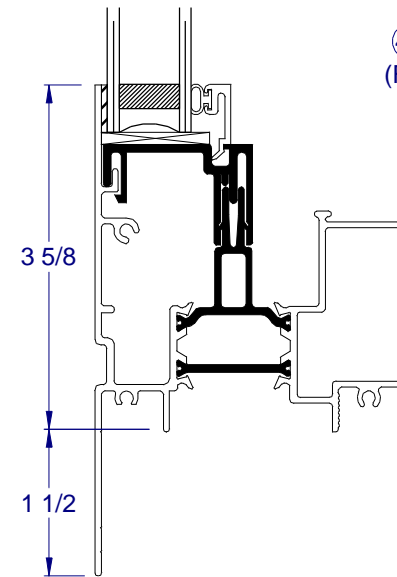


WINDOW HEIGHT

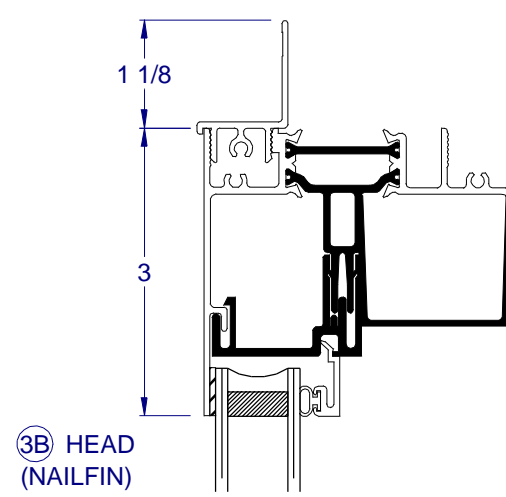
④ SILL



④A SILL  
(FLANGE)



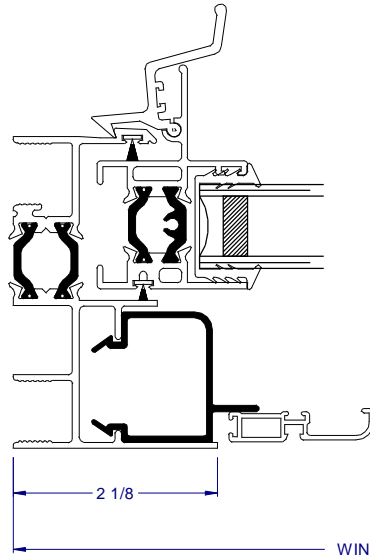
④B SILL  
(NAILFIN)



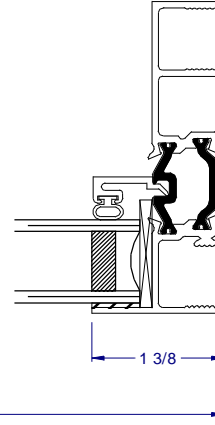
③B HEAD  
(NAILFIN)

HALF SCALE SECTIONS

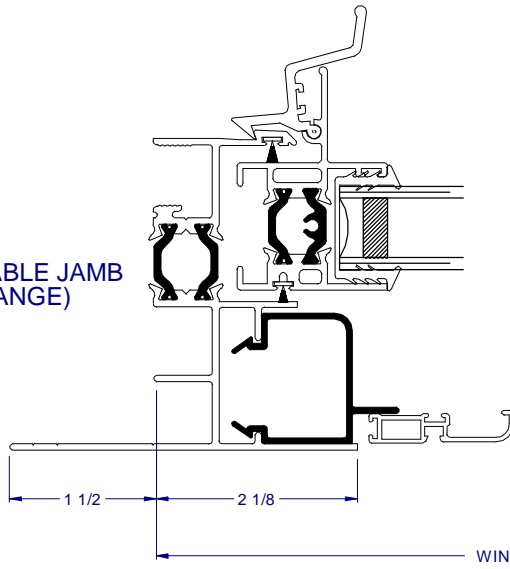
⑤ OPERABLE JAMB



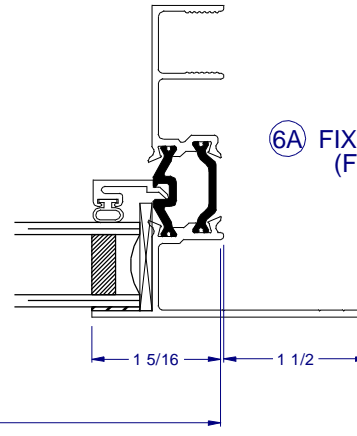
⑥ FIXED JAMB



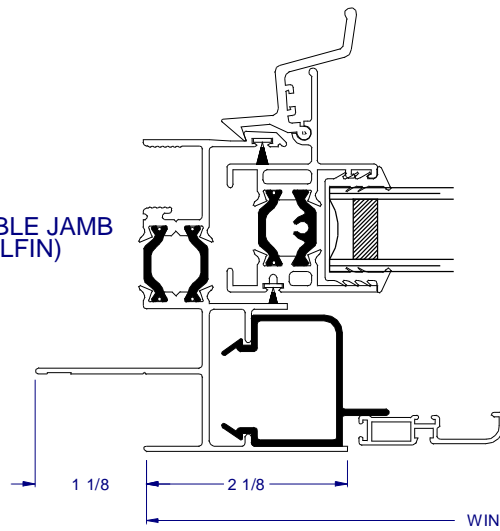
⑤A OPERABLE JAMB  
(FLANGE)



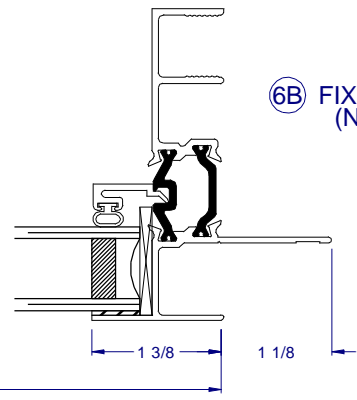
⑥A FIXED JAMB  
(FLANGE)



⑤B OPERABLE JAMB  
(NAILFIN)

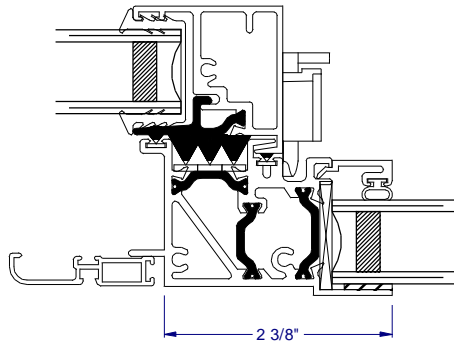


⑥B FIXED JAMB  
(NAILFIN)

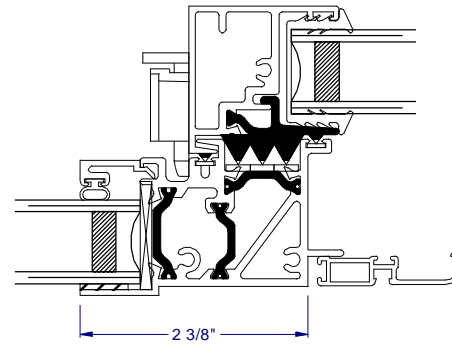


HALF SCALE SECTIONS

⑦ VERTICAL MULLION  
(OPERABLE/FIXED)

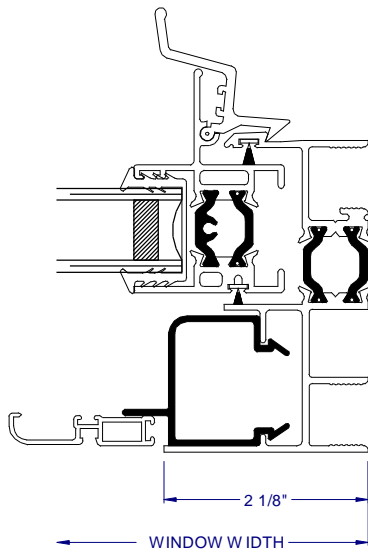


⑧ VERTICAL MULLION  
(FIXED/OPERABLE)

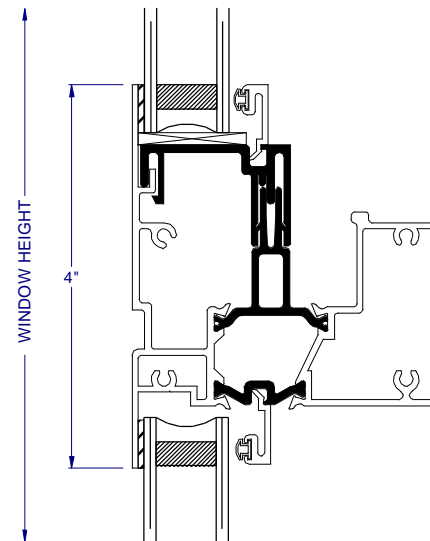


← WINDOW WIDTH →

⑨ OPERABLE JAMB



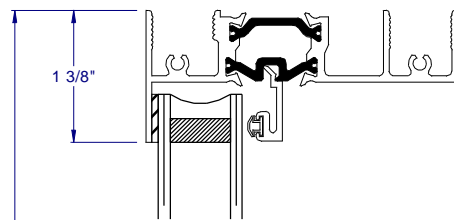
⑩ INTERMEDIATE HORIZONTAL  
(FIXED/FIXED)



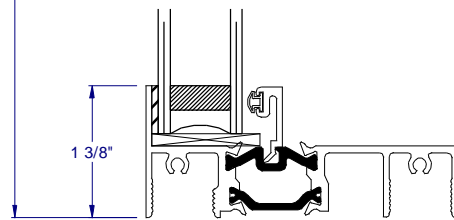
↑ WINDOW HEIGHT ↓

HALF SCALE SECTIONS

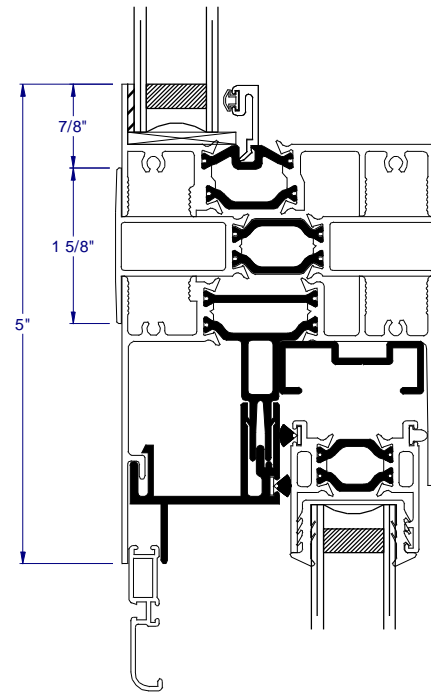
⑫ FIXED HEAD



WINDOW HEIGHT



⑪ FIXED SILL



⑬ H-MULL TRANSITION