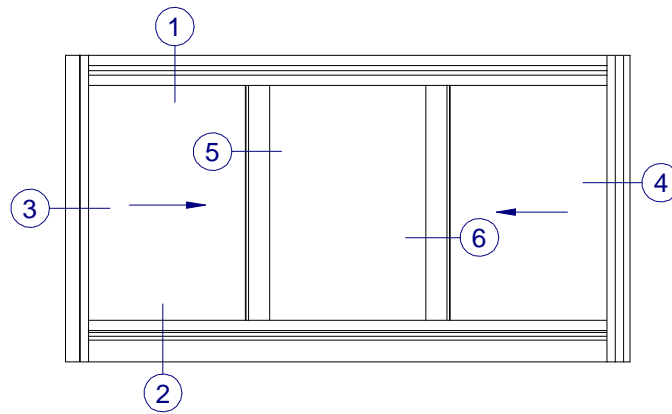
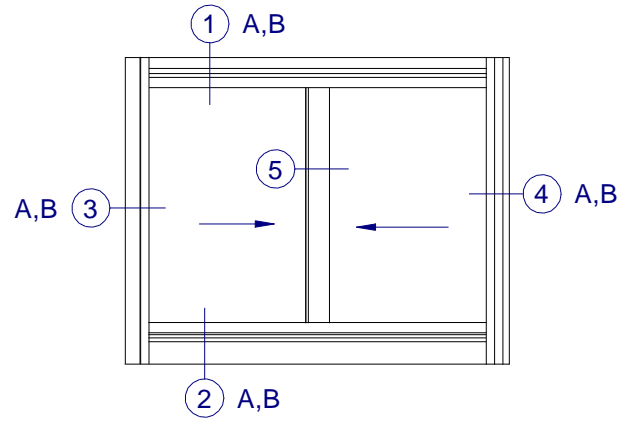
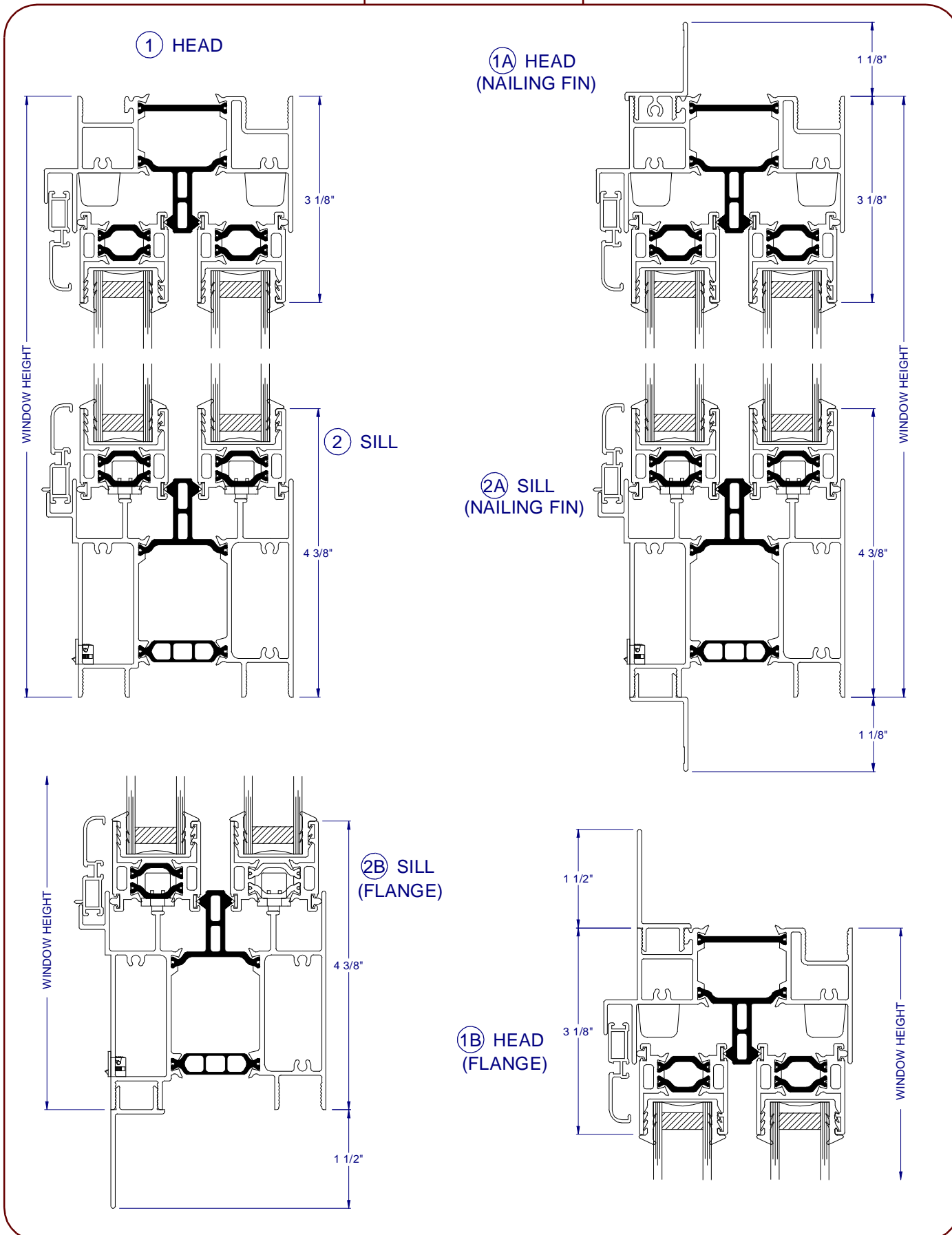


ELEVATIONS

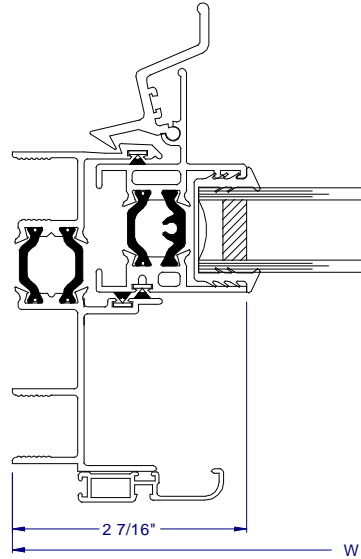
SERIES NX-6000  
3-1/4" DOUBLE SLIDE WINDOW



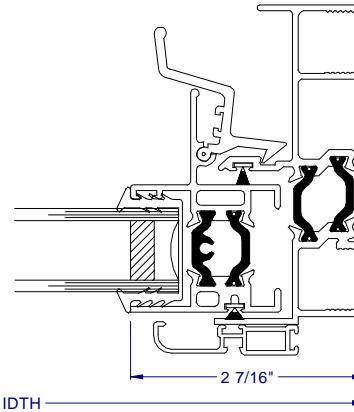
HALF SCALE SECTIONS



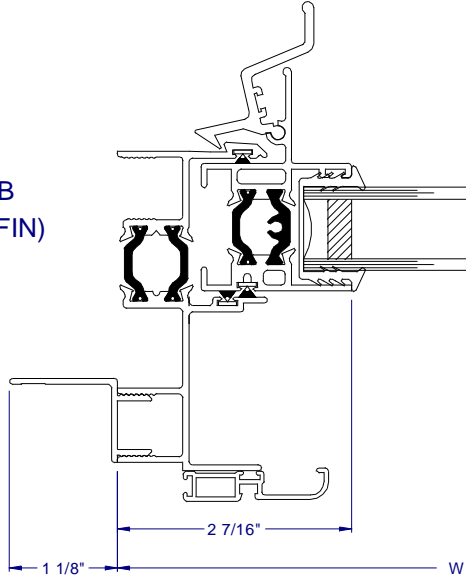
③ JAMB



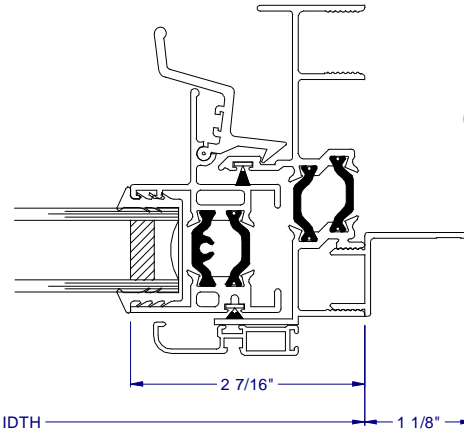
④ JAMB



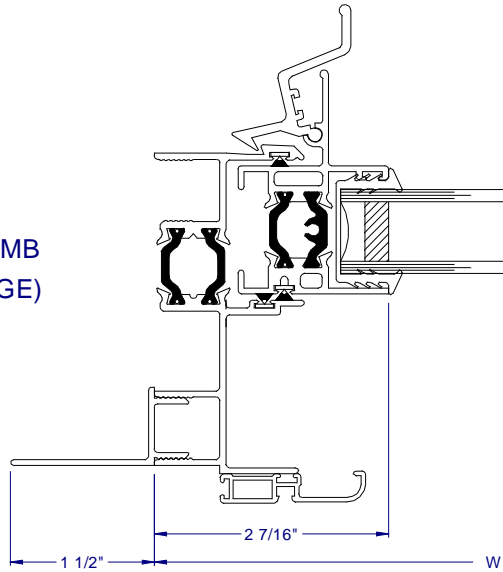
③A JAMB  
(NAILING FIN)



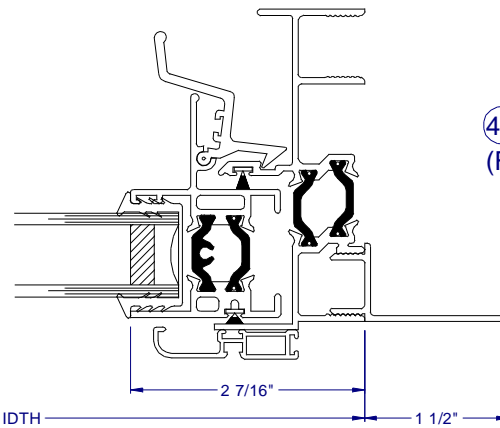
④A JAMB  
(NAILING FIN)



③B JAMB  
(FLANGE)

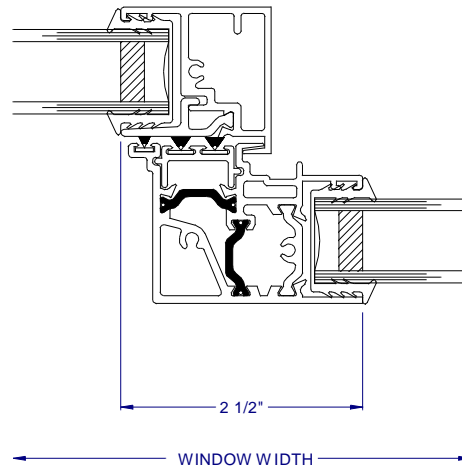


④B JAMB  
(FLANGE)



HALF SCALE SECTIONS

⑤ MEETING RAIL



⑥ MEETING RAIL

