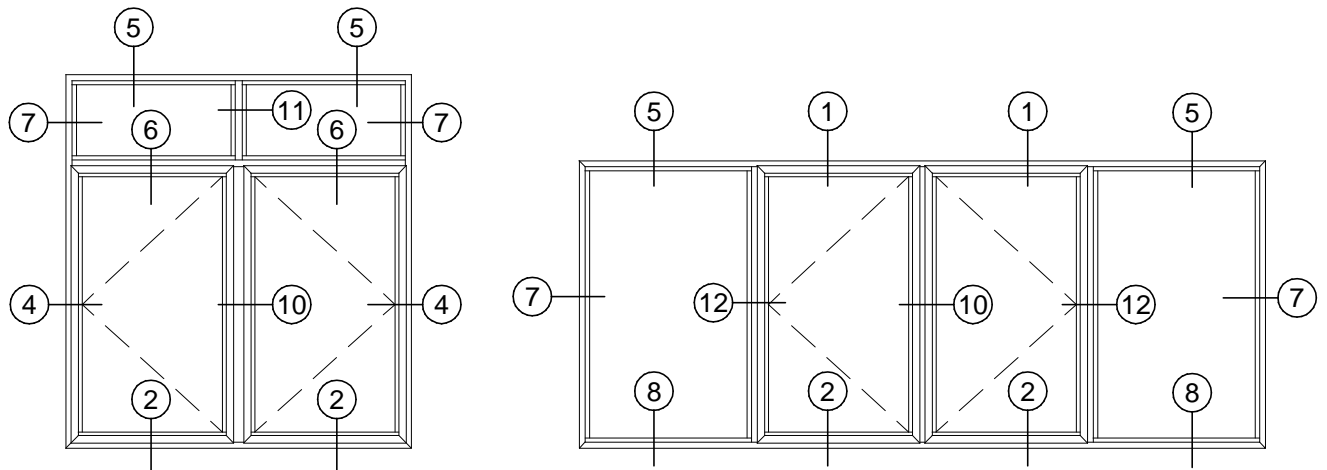
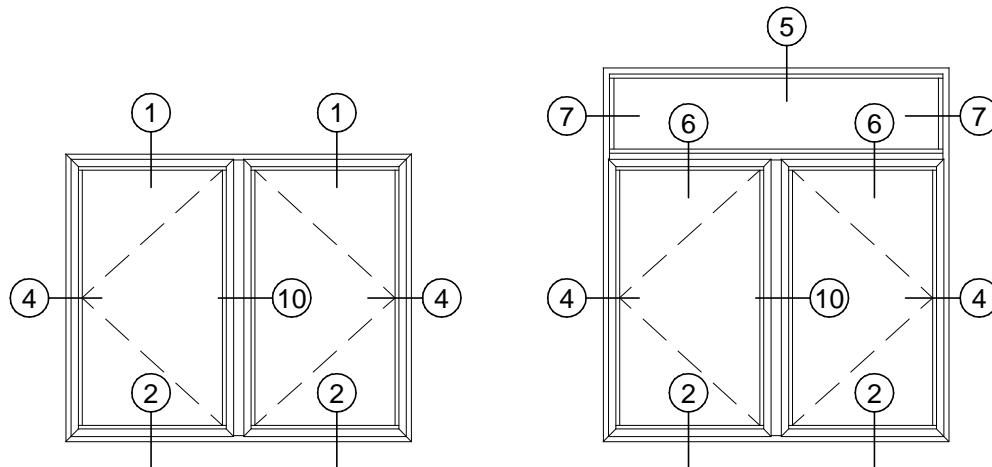
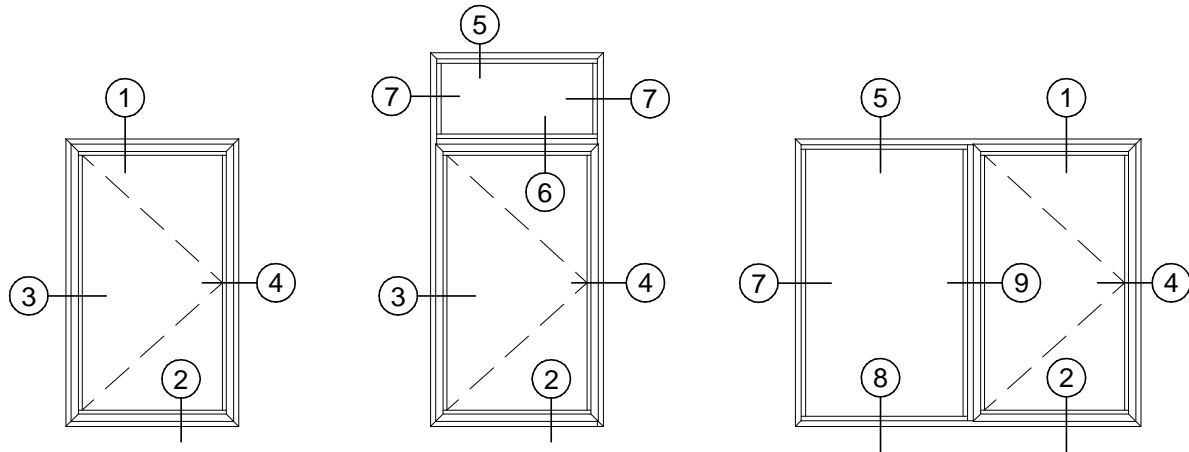
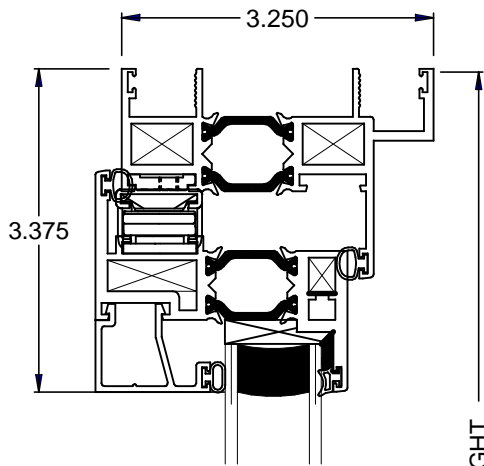


ELEVATIONS

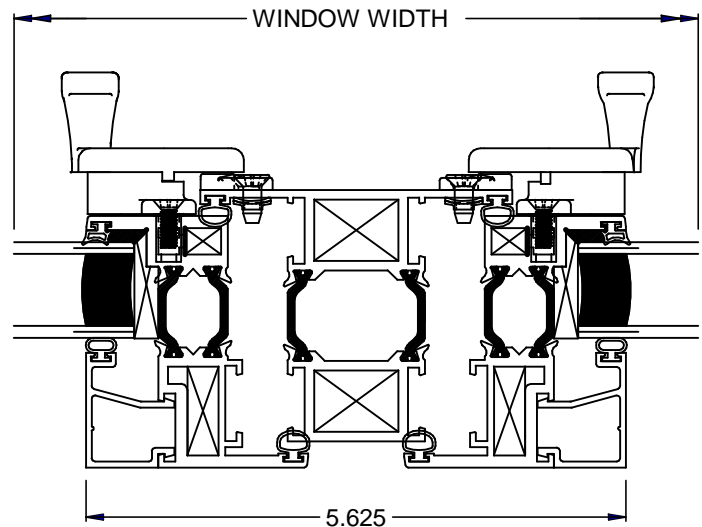
**SERIES NX-3100
CASEMENT OUTSWING**



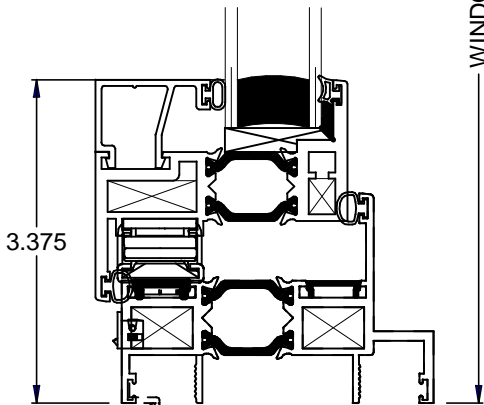
HALF SCALE DETAILS



① HEAD VENT

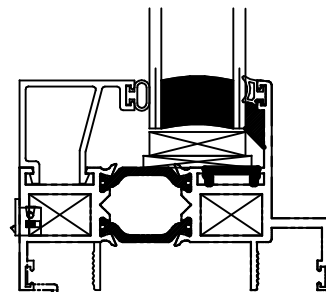


⑩ VERTICAL VENT/VENT MULLION



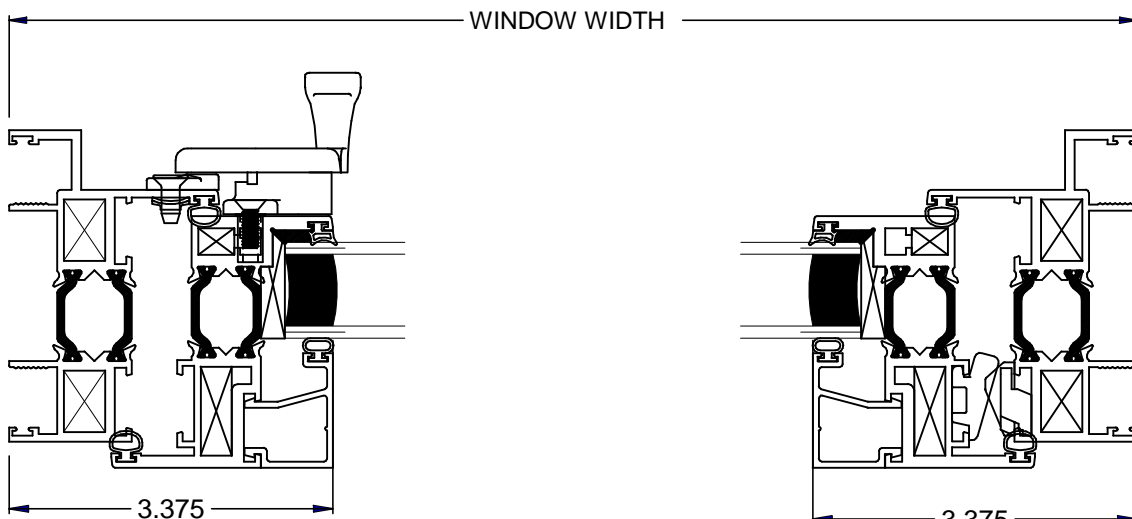
OPTIONAL
PANNING
LEG SILL

② SILL VENT

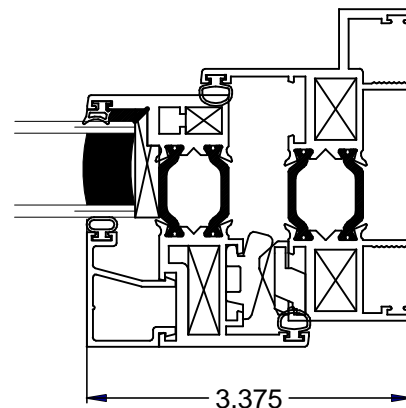


OPTIONAL
PANNING
LEG SILL

⑧ SILL FIXED

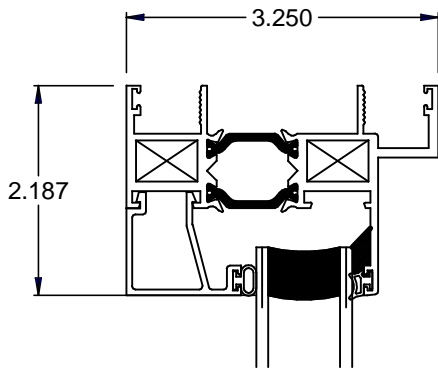


③ HANDLE JAMB

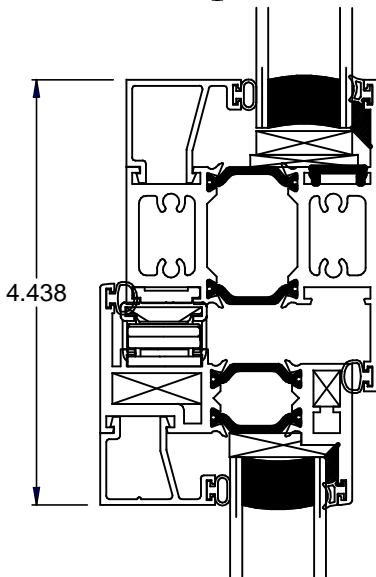


④ PIVOT JAMB

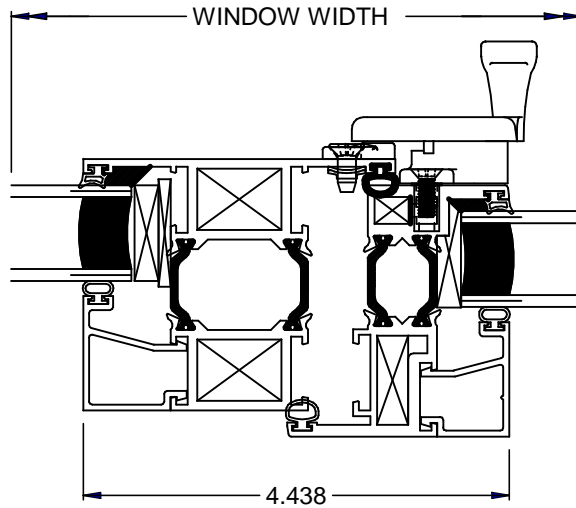
HALF SCALE DETAILS



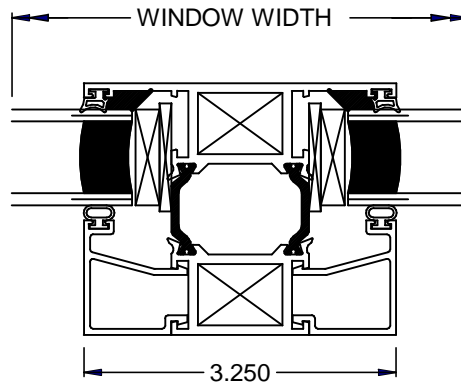
⑤ FIXED HEAD



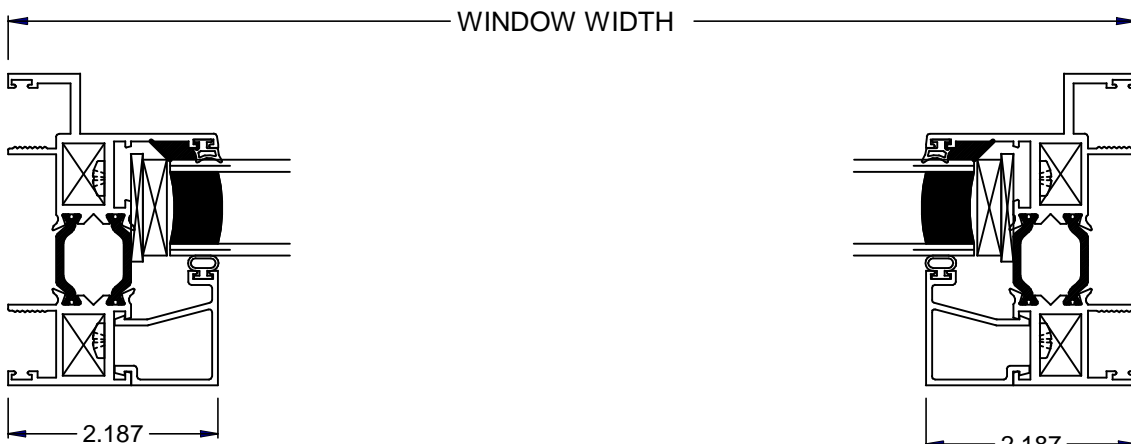
⑥ HORIZ. INTEGRAL MULLION



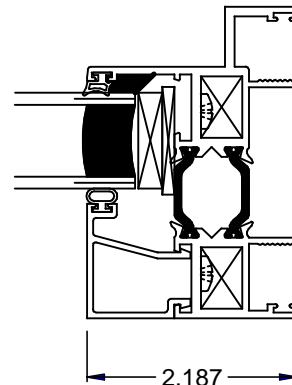
⑨ VERTICAL VENT/FIXED MULLION



⑪ VERTICAL FIXED /FIXED MULLION

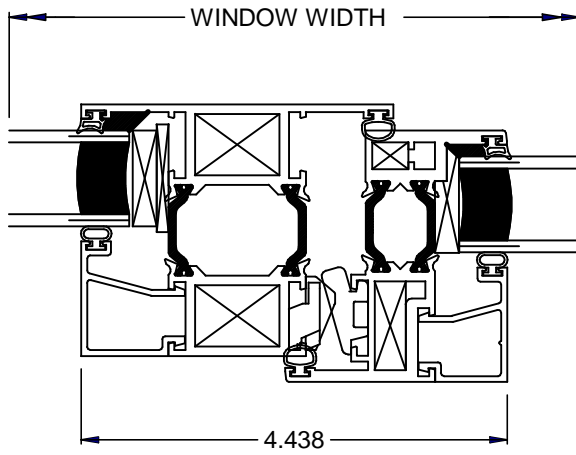


⑦ FIXED JAMB



⑦ FIXED JAMB

HALF SCALE DETAILS



⑫ VERTICAL FIXED/VENT MULLION