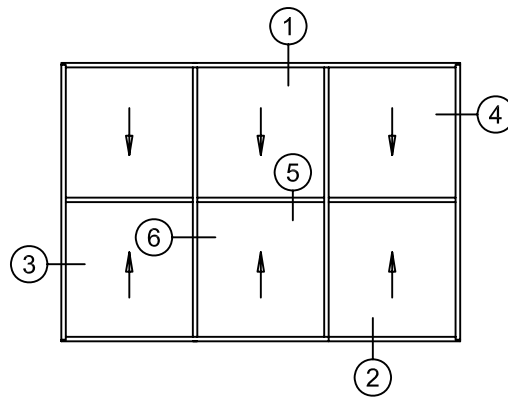
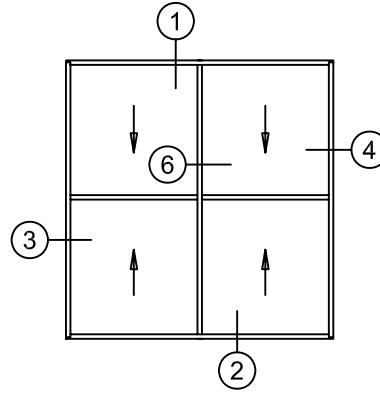
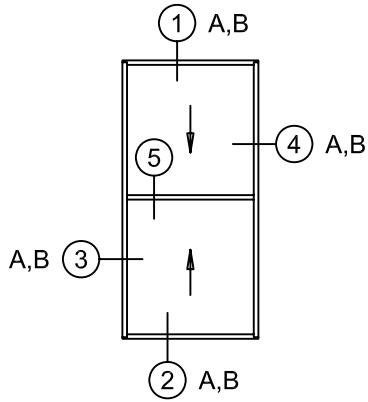




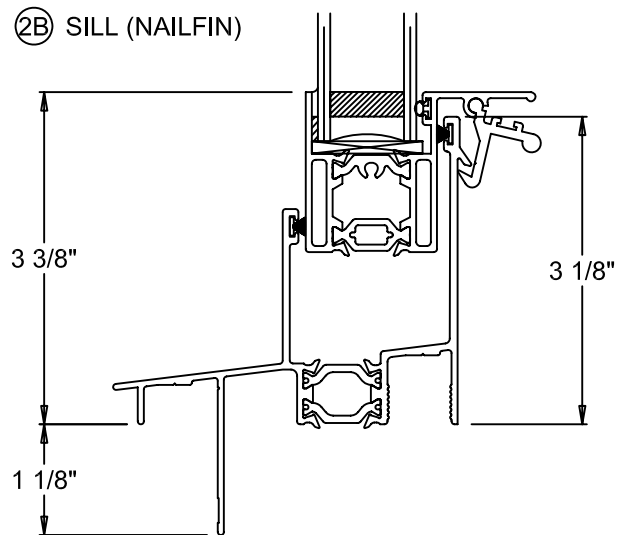
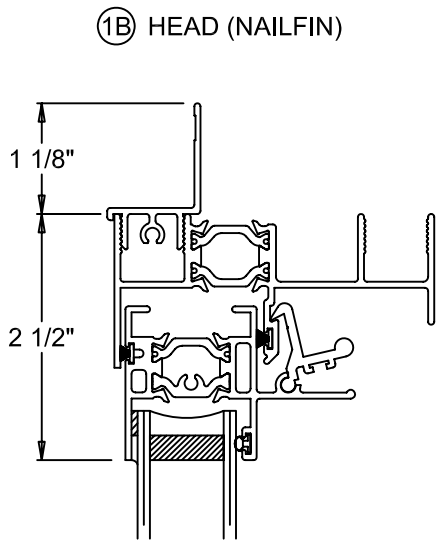
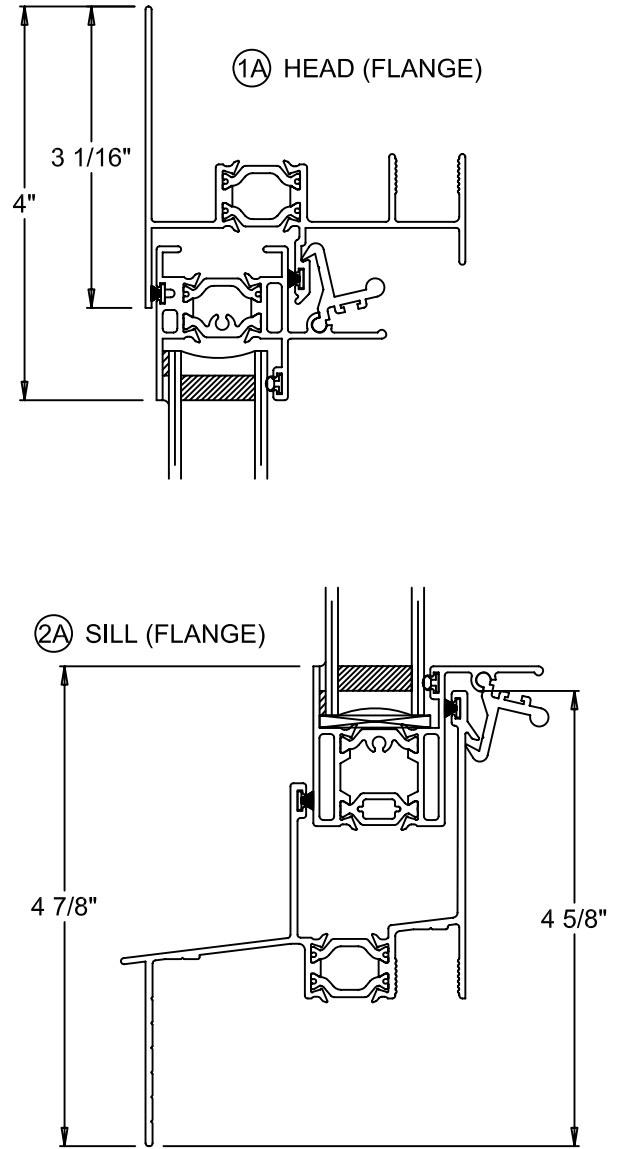
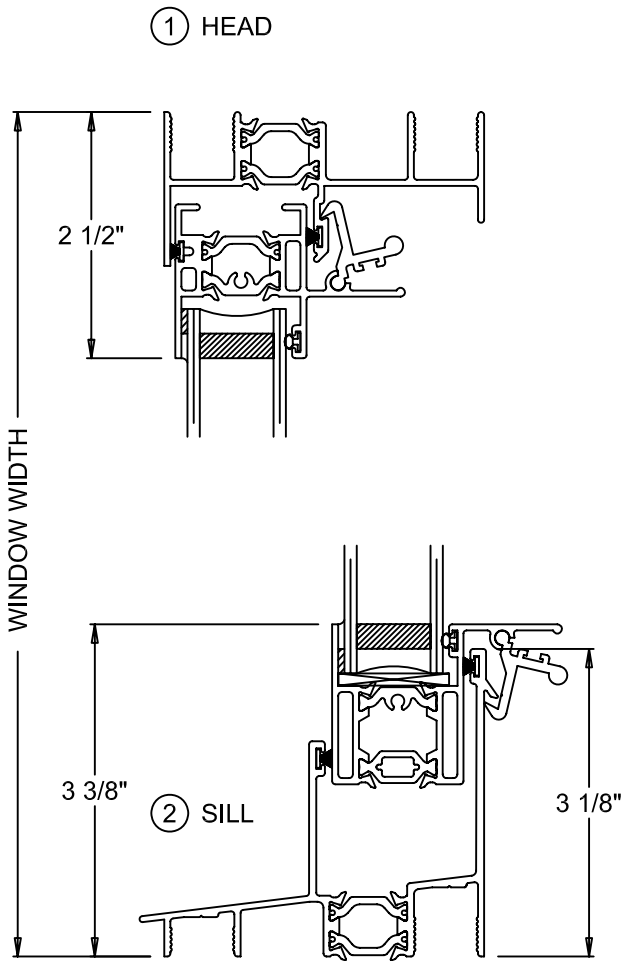
ELEVATIONS

SERIES NX-501  
DOUBLE HUNG TILT





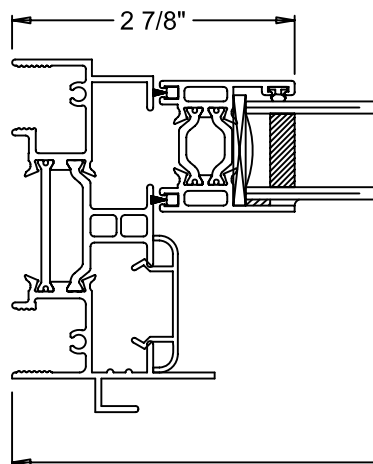
### HALF SCALE SECTIONS



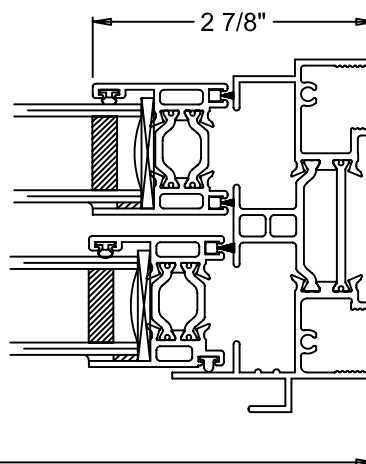


### HALF SCALE SECTIONS

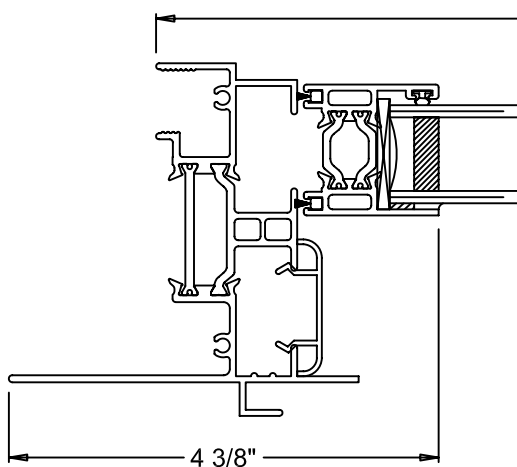
③ LEFT JAMB



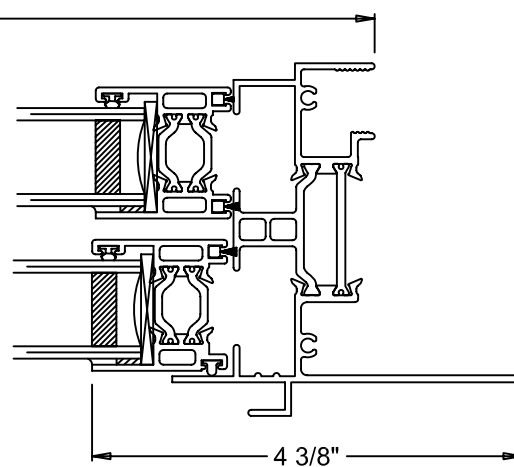
④ RIGHT JAMB



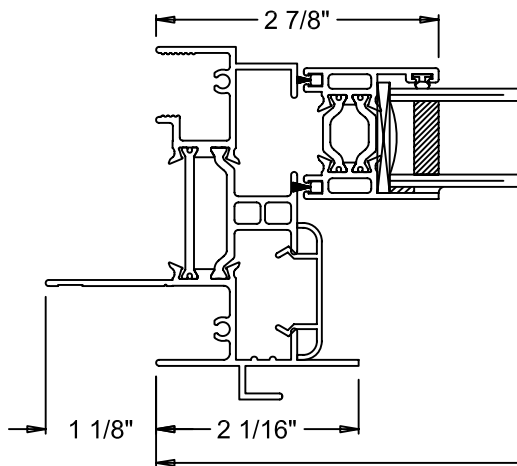
③A LEFT JAMB  
(FLANGE FRAME)



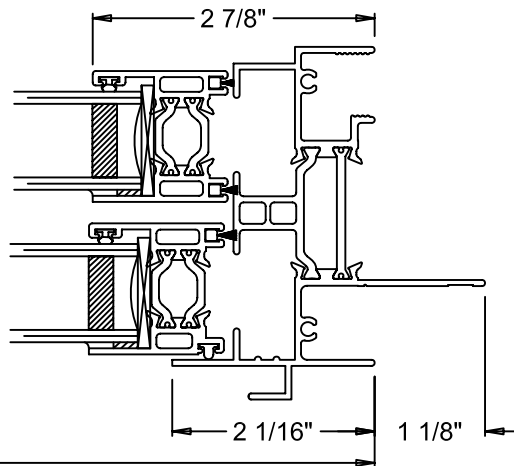
④A RIGHT JAMB  
(FLANGE FRAME)



③B LEFT JAMB  
(NAILFIN)



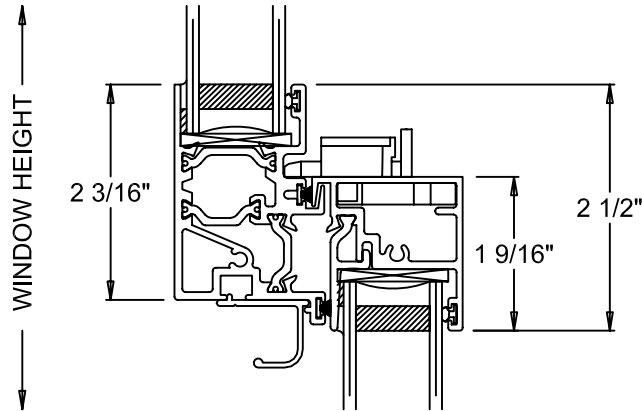
④B RIGHT JAMB  
(NAILFIN)





HALF SCALE SECTIONS

⑤ MEETING RAIL



⑥ VERTICAL INTEGRAL MULLION

