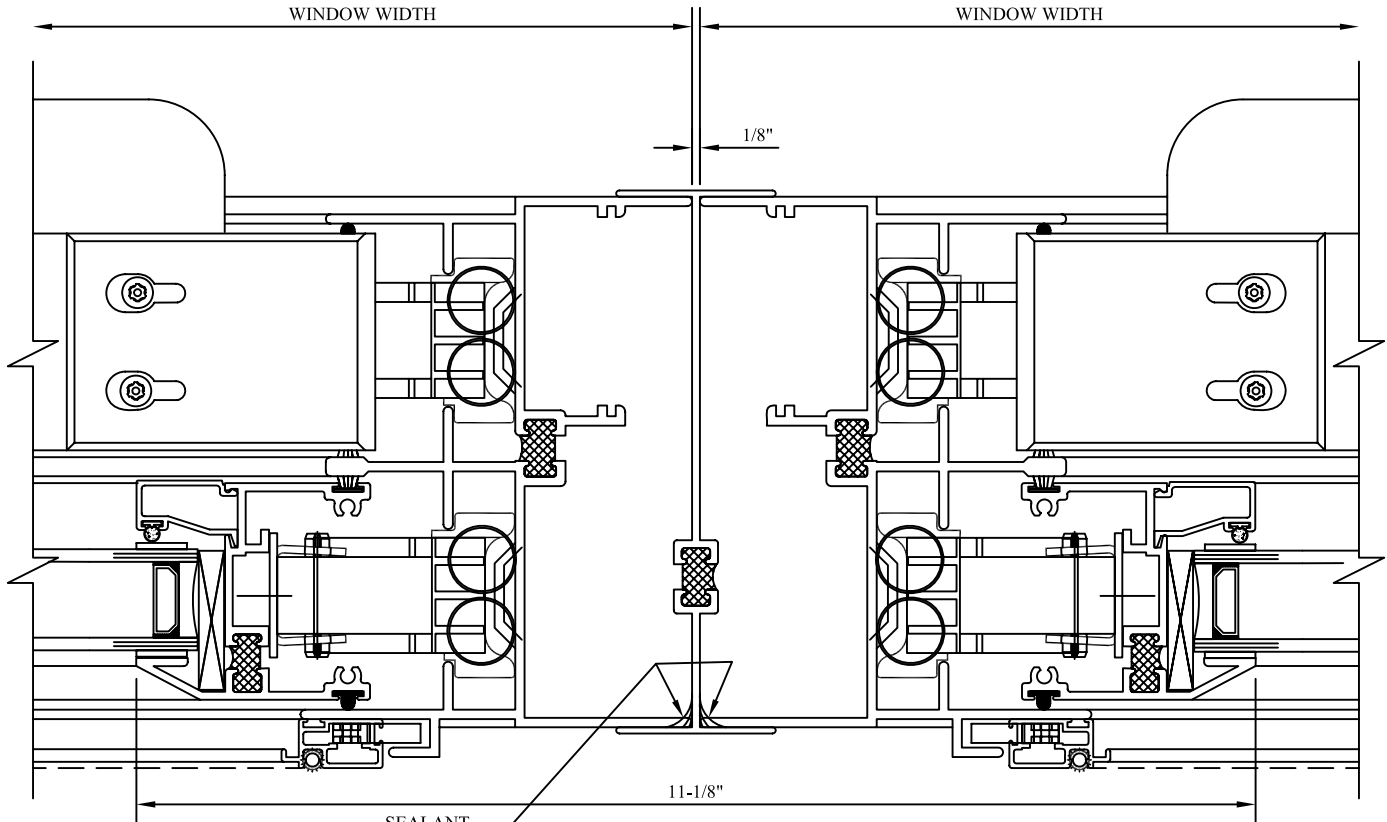




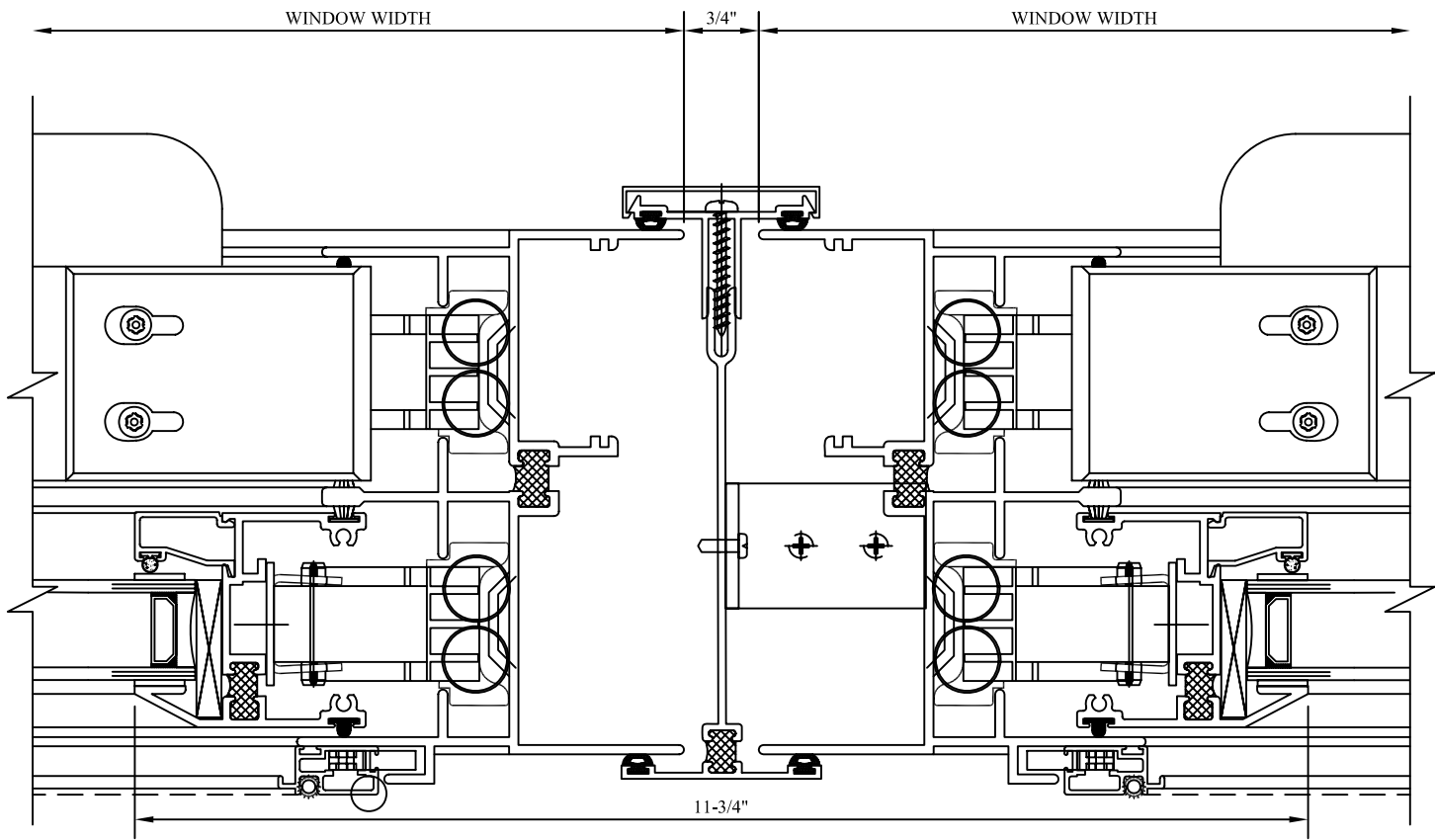
Half Scale Sections

Please visit the SPZ electronic product catalog at www.traco.com for product specifications and additional section details.



SEALANT
BY OTHERS

⑮ VERTICAL STACK MULLION



⑯ VERTICAL THREE-PIECE MULLION