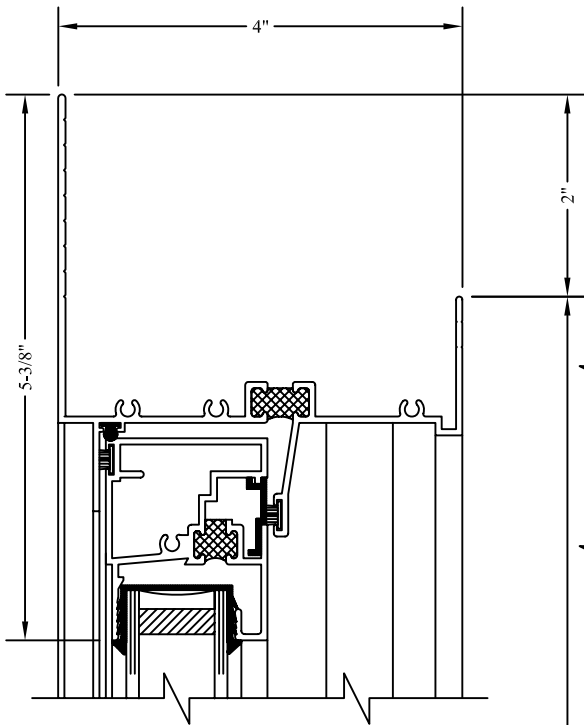


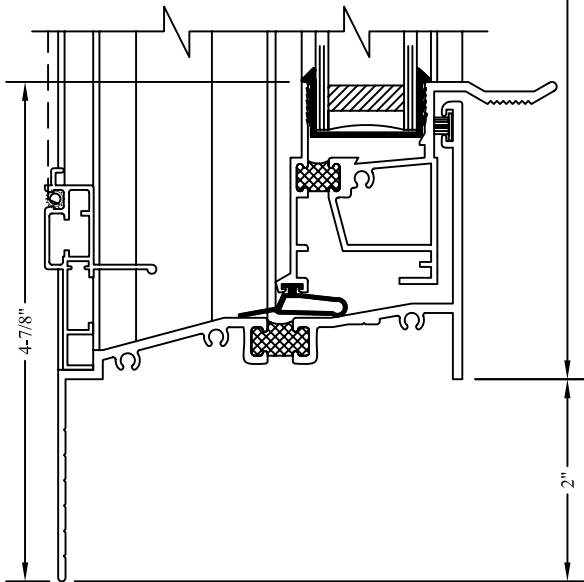


Please visit the SPZ electronic product catalog at [www.traco.com](http://www.traco.com) for product specifications and additional section details.

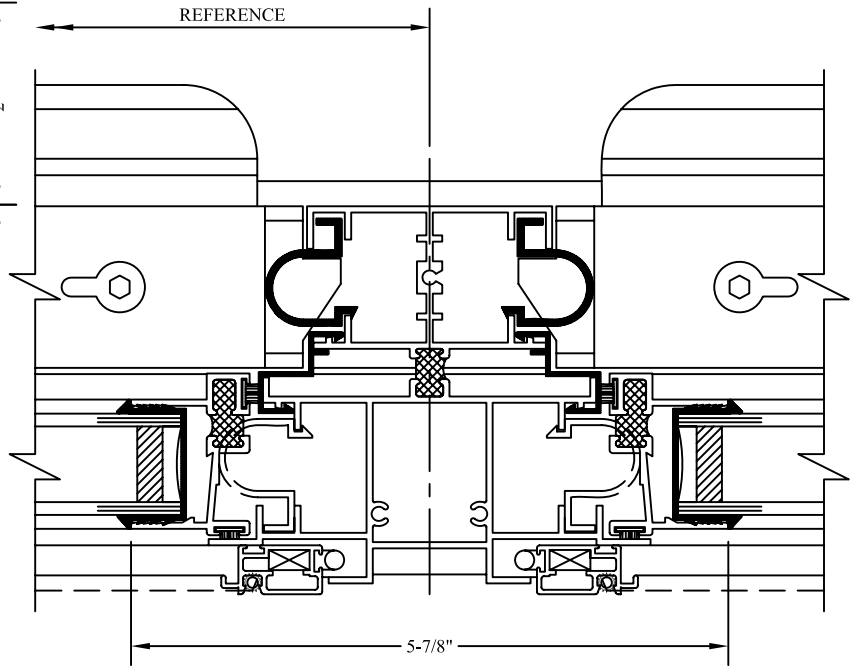


①⑥  
HEAD  
(FLANGE FRAME)

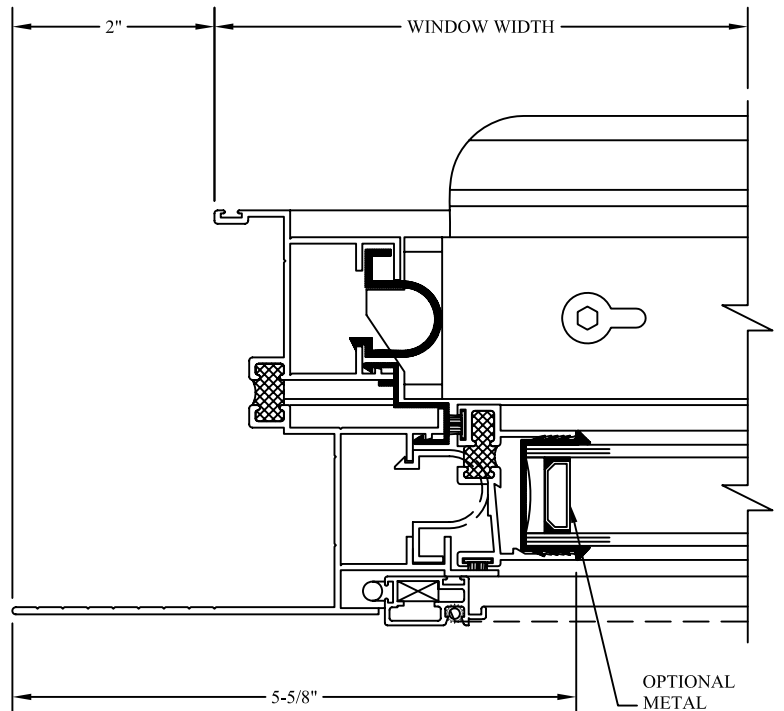
NOTE: FLANGE FRAME  
CORNER BACKSEALING  
BY OTHERS.



①⑦  
SILL  
(FLANGE FRAME)



①⑨  
VERTICAL INTEGRAL MULLION  
HUNG/HUNG



①⑧  
JAMB  
(FLANGE FRAME)

OPTIONAL  
METAL  
SPACER

WINDOW HEIGHT

WINDOW WIDTH