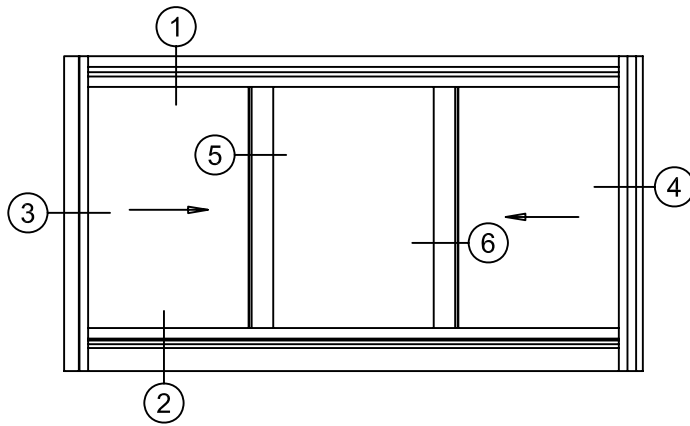
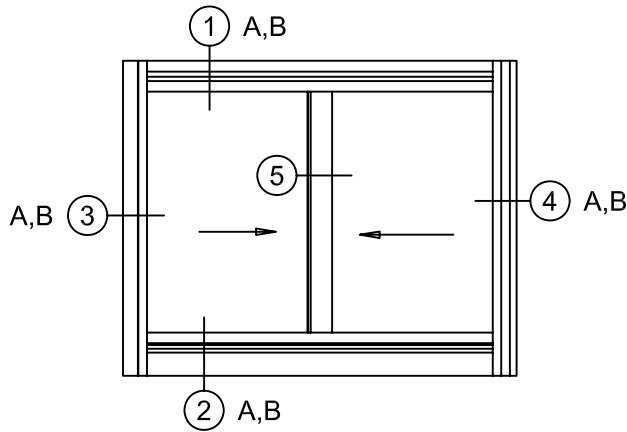




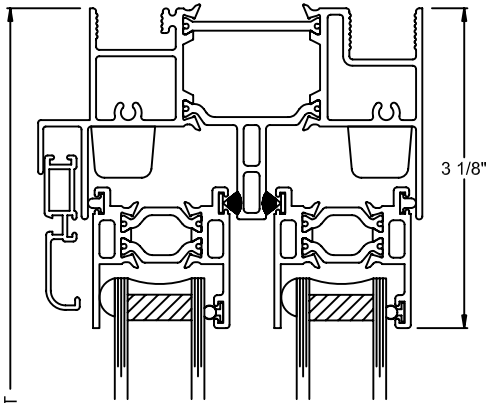
ELEVATIONS

SERIES NX-600
3-1/4" DOUBLE SLIDE WINDOW





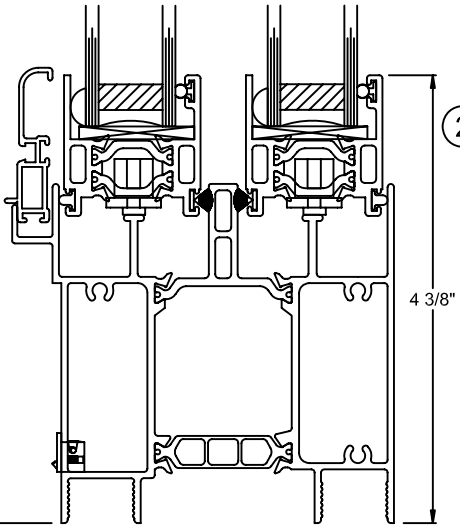
① HEAD



3 1/8"

WINDOW HEIGHT

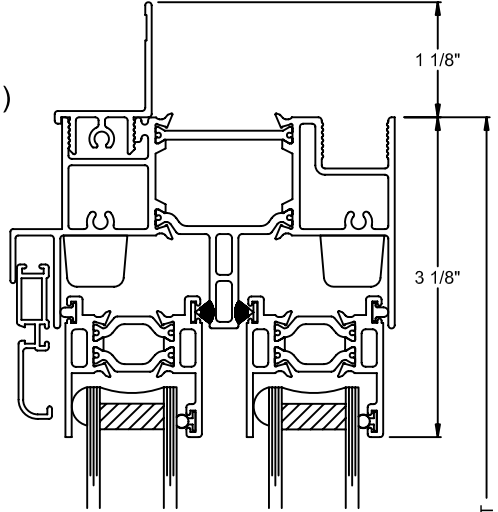
② SILL



4 3/8"

WINDOW HEIGHT

①A HEAD
(NAILING FIN)

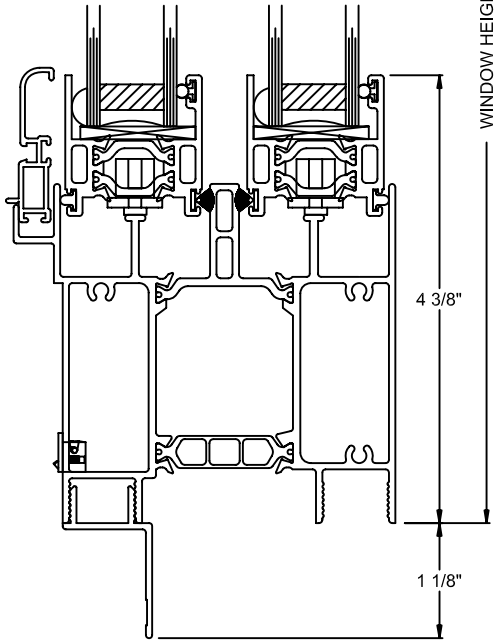


1 1/8"

3 1/8"

WINDOW HEIGHT

②A SILL
(NAILING FIN)

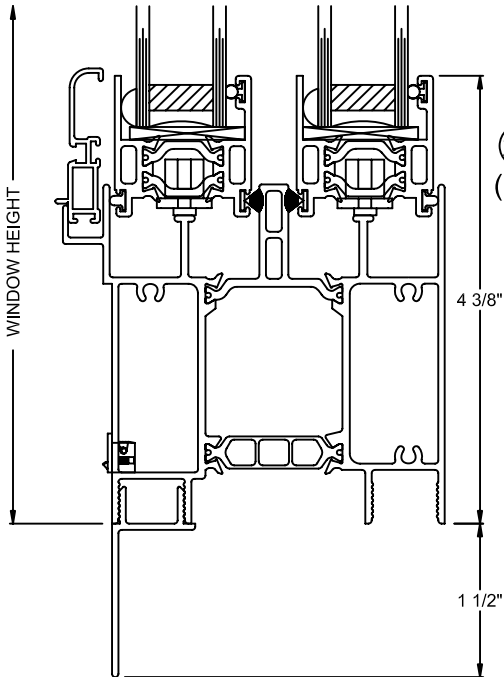


4 3/8"

1 1/8"

WINDOW HEIGHT

②B SILL
(FLANGE)

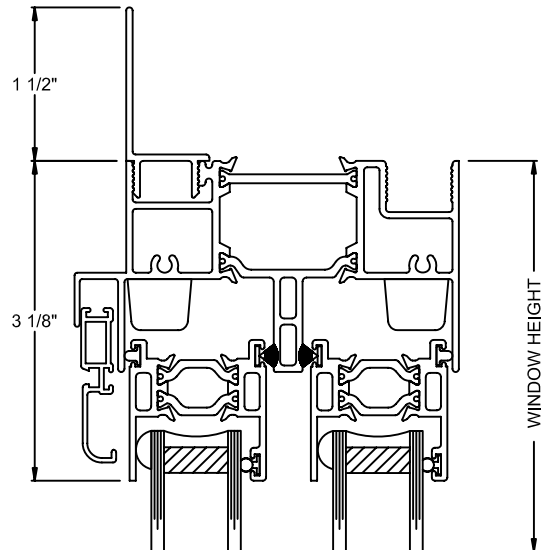


4 3/8"

1 1/2"

WINDOW HEIGHT

①B HEAD
(FLANGE)



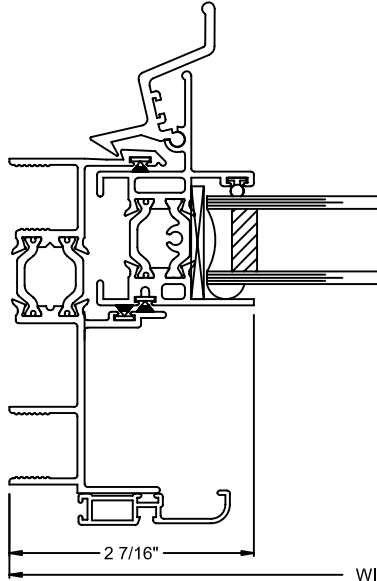
1 1/2"

3 1/8"

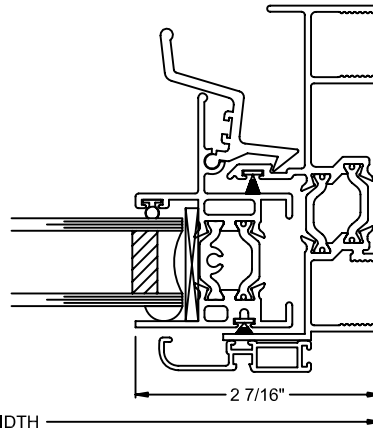
WINDOW HEIGHT



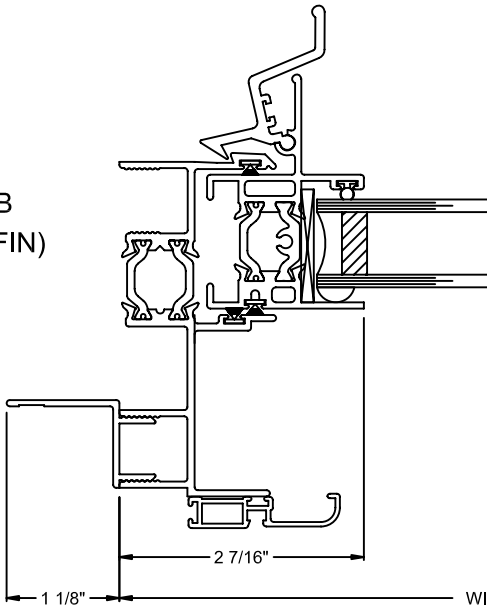
③ JAMB



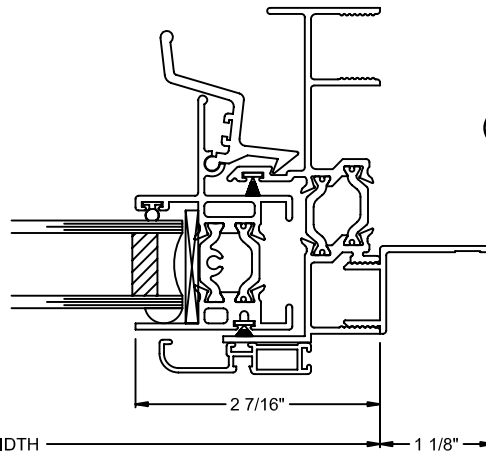
④ JAMB



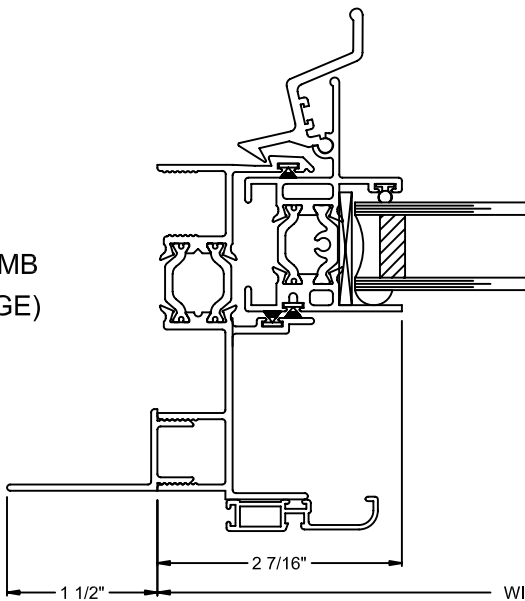
③A JAMB
(NAILING FIN)



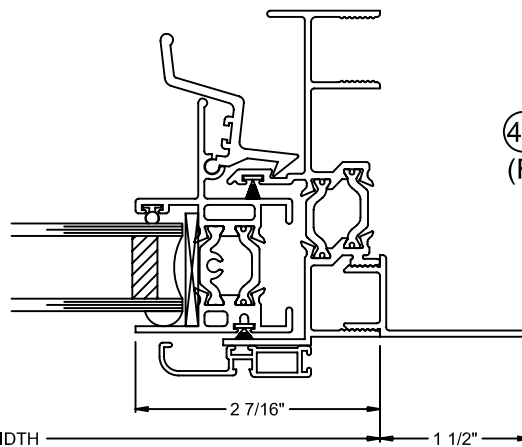
④A JAMB
(NAILING FIN)



③B JAMB
(FLANGE)

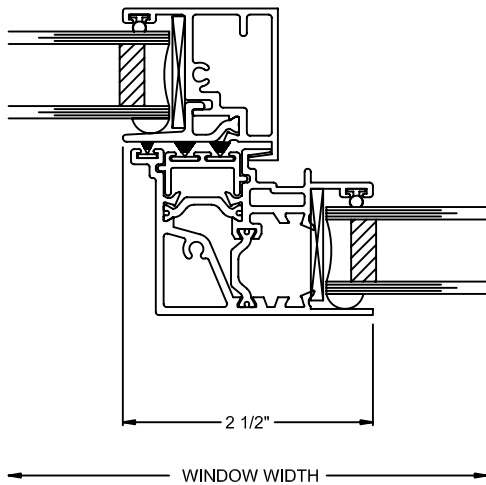


④B JAMB
(FLANGE)





⑤ MEETING RAIL



⑥ MEETING RAIL

