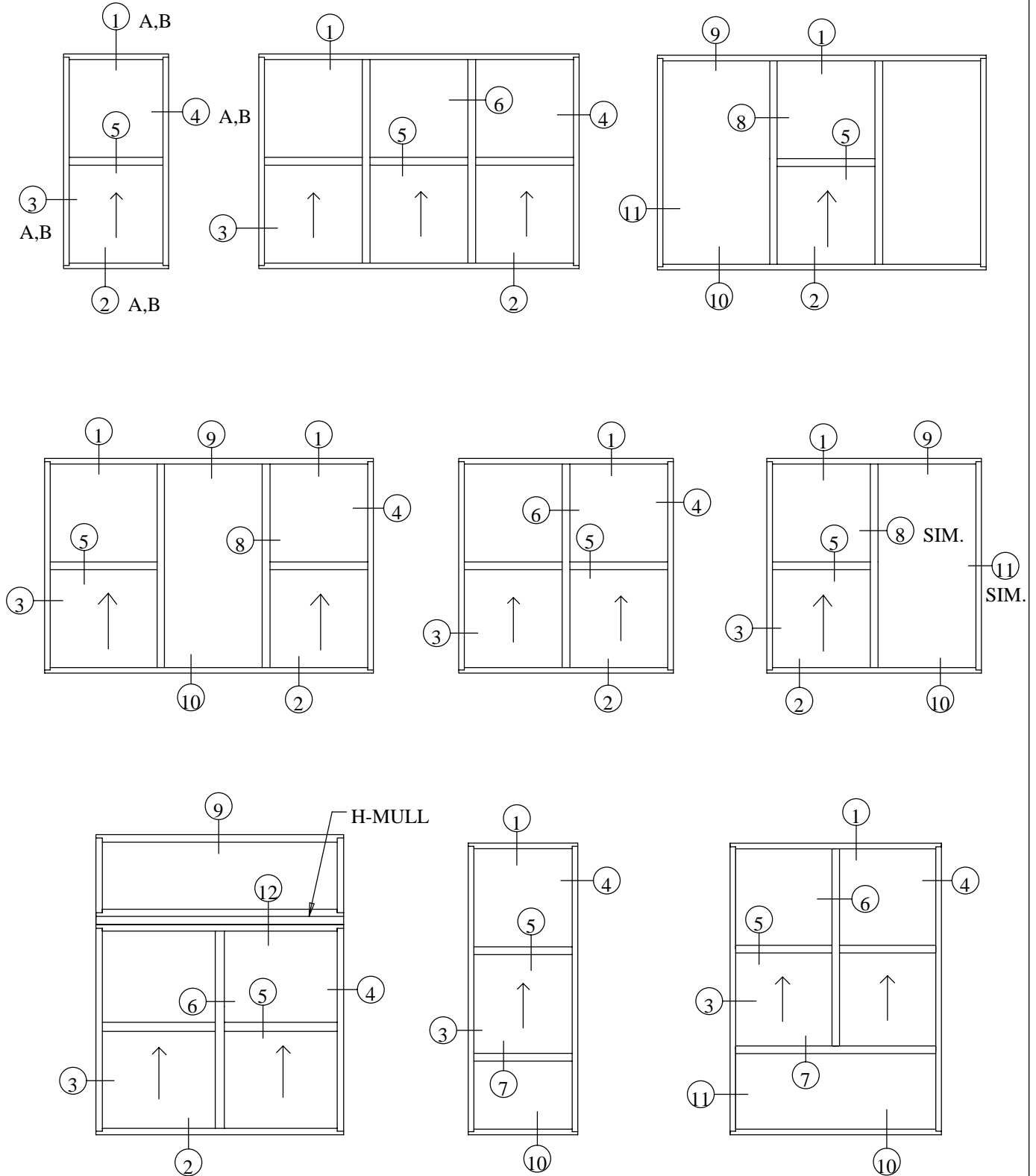




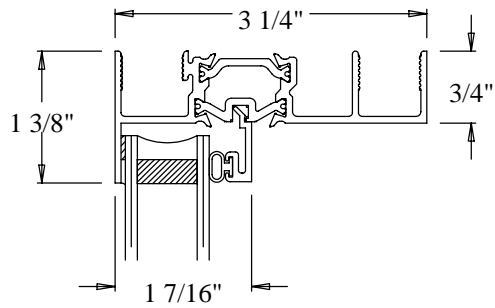
ELEVATIONS

SERIES NX-540 SINGLE HUNG TILT

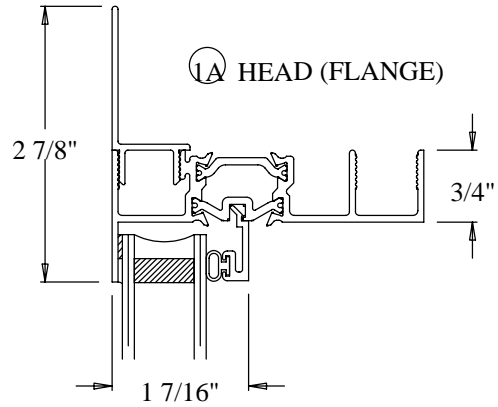




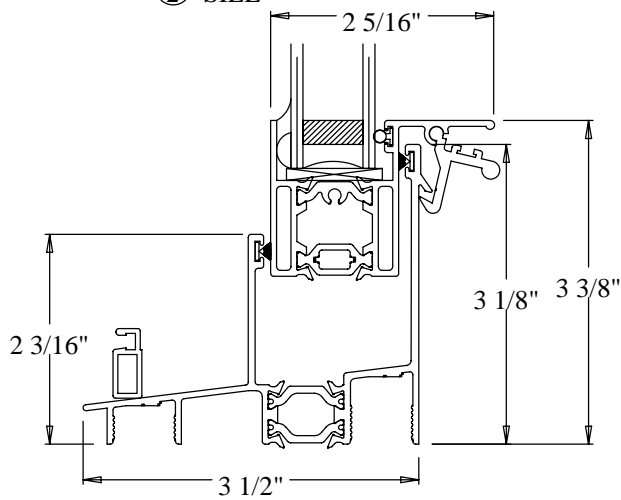
① HEAD



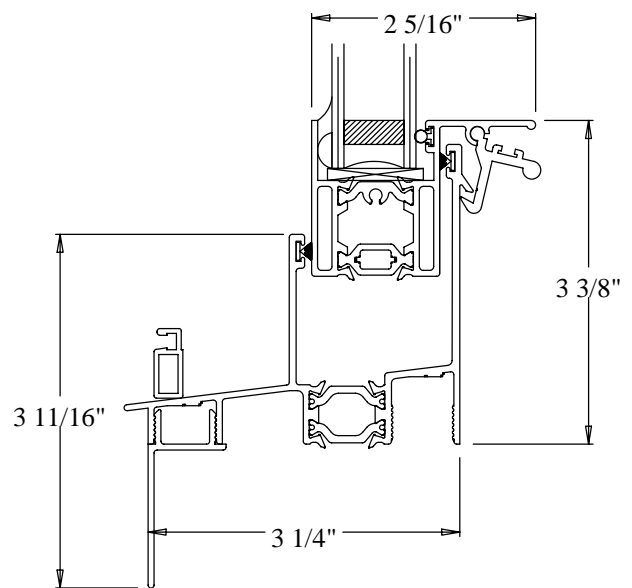
①A HEAD (FLANGE)



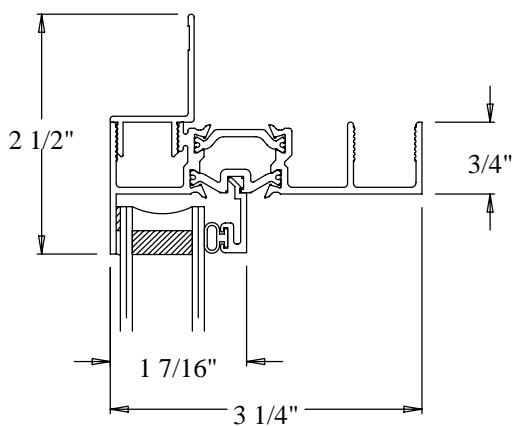
② SILL



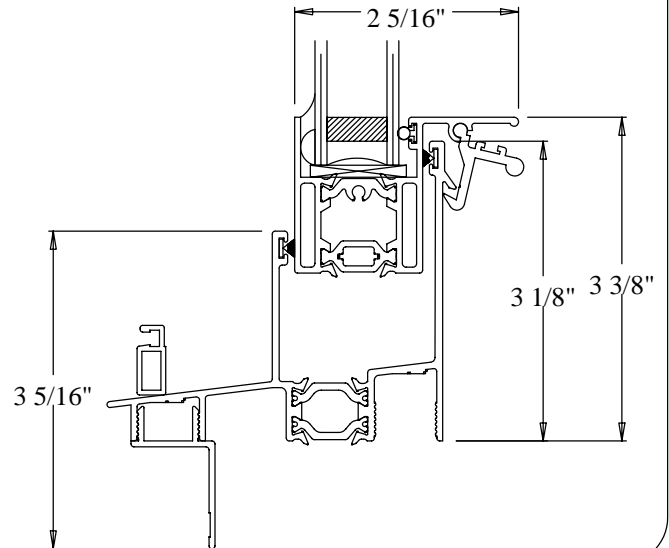
②A SILL (FLANGE)



①B HEAD (NAILFIN)

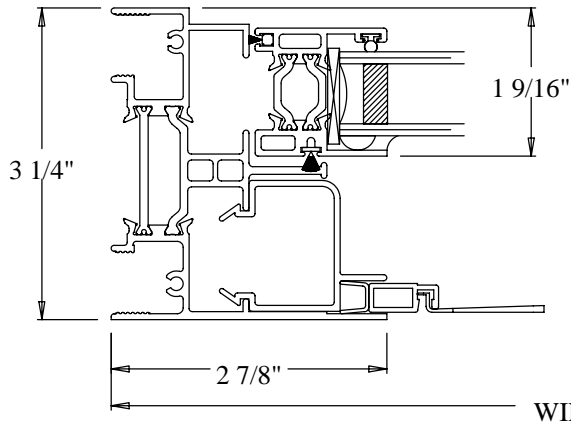


②B SILL (NAILFIN)

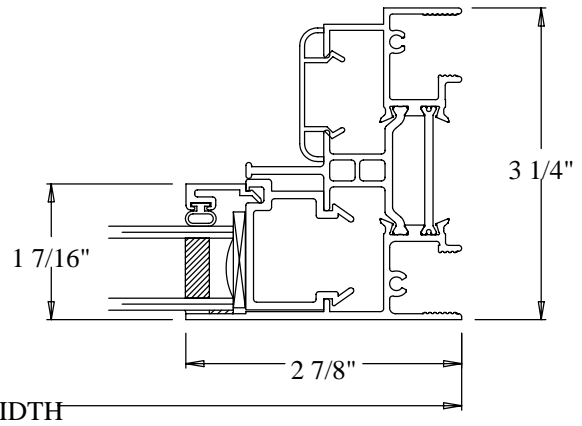




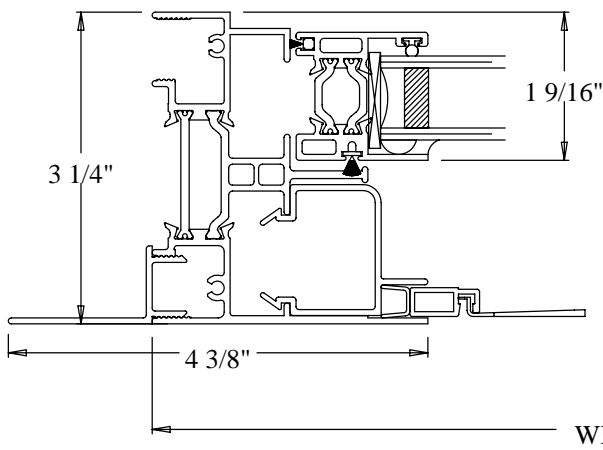
③ LEFT JAMB



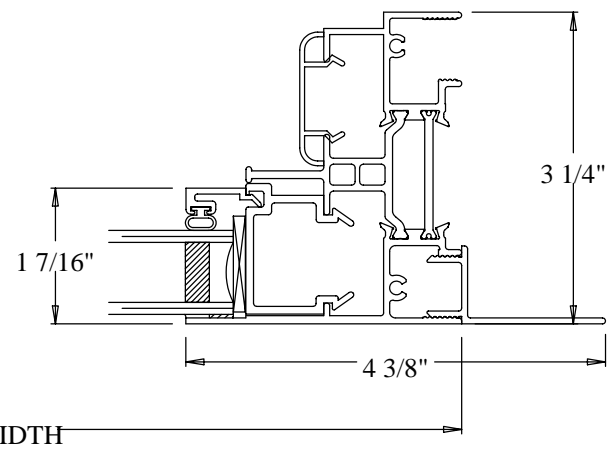
④ RIGHT JAMB



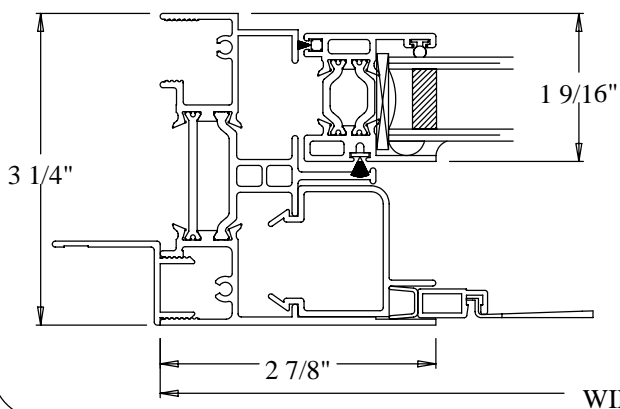
③A LEFT JAMB (FLANGE)



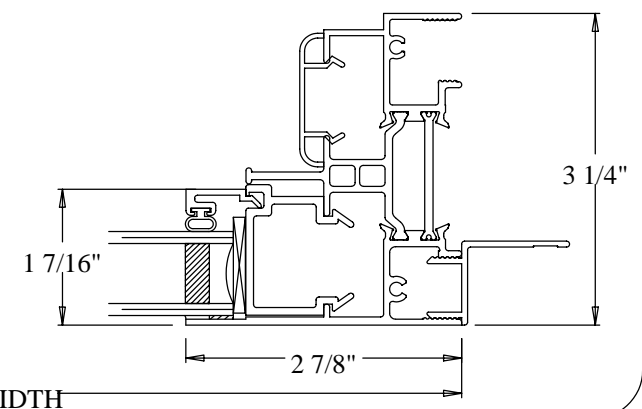
④A RIGHT JAMB (FLANGE)



③B LEFT JAMB (NAILFIN)

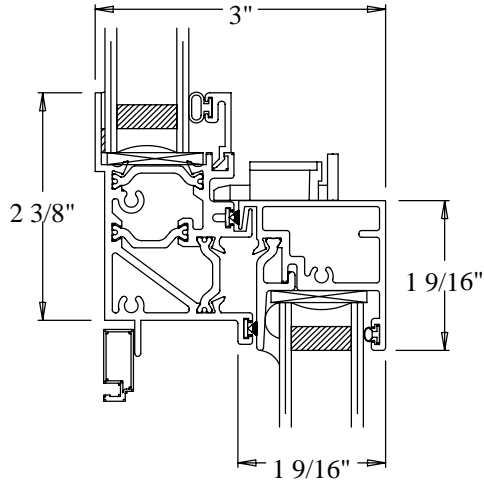


④B RIGHT JAMB (NAILFIN)

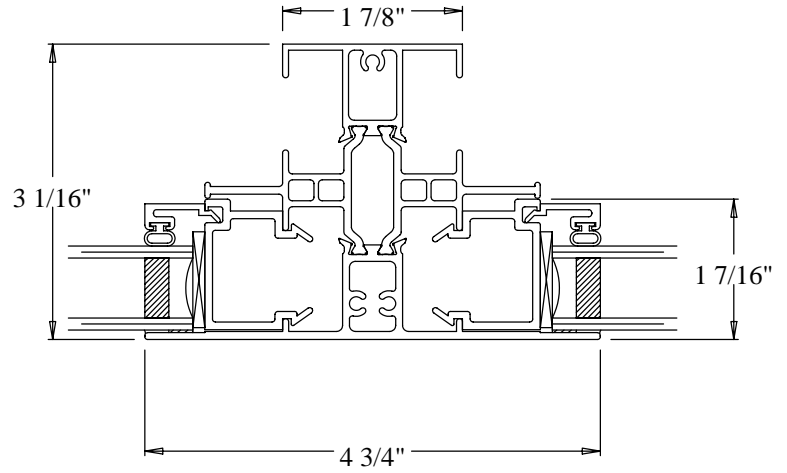




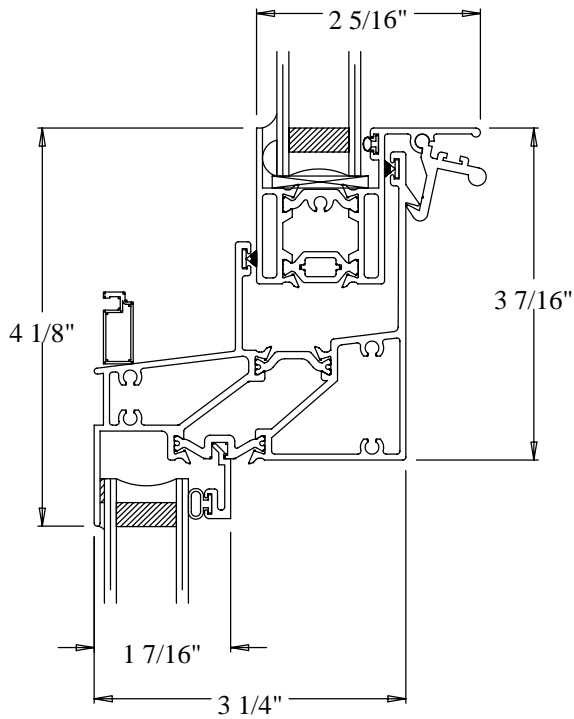
⑤ MEETING RAIL



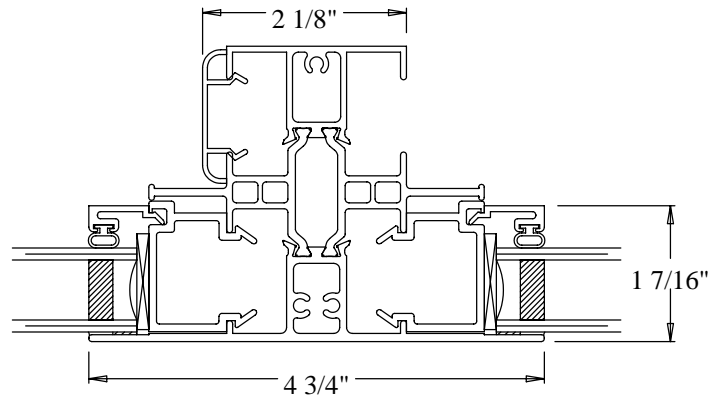
⑥ VERTICAL INTEGRAL MULLION



⑦ HORIZONTAL INTEGRAL MULLION

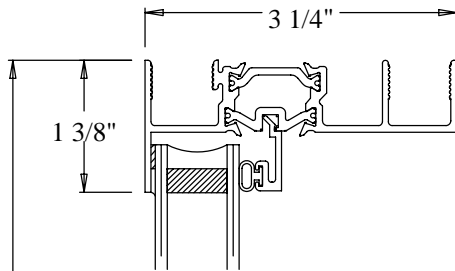


⑥ VERTICAL INTEGRAL MULLION (FIXED/SINGLE HUNG)

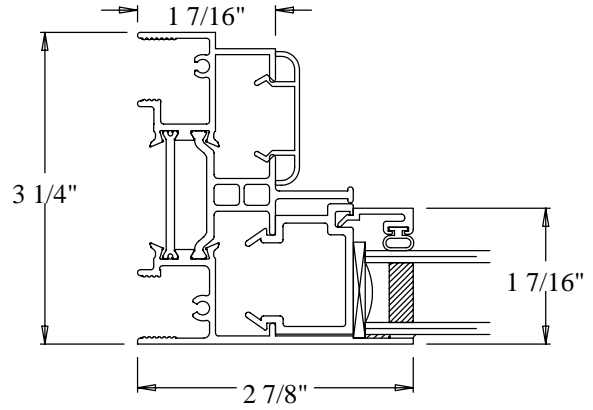




⑨ FIXED HEAD

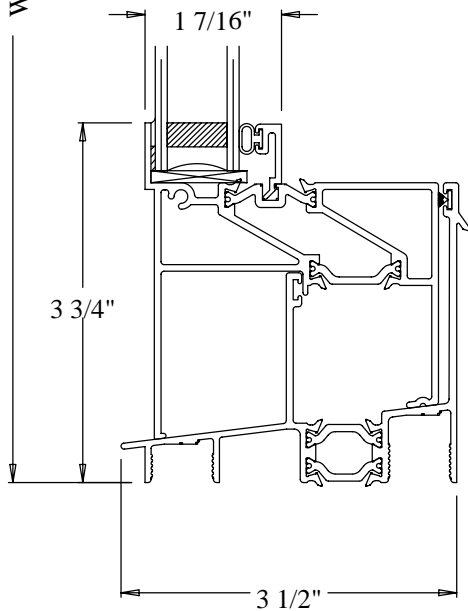


⑪ FIXED JAMB



WINDOW HEIGHT

⑩ FIXED SILL



⑫ H-MULL TRANSITION MULLION

