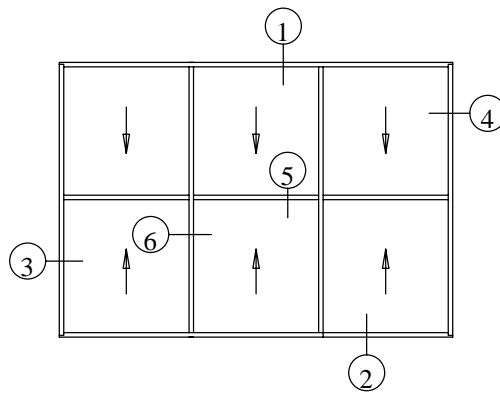
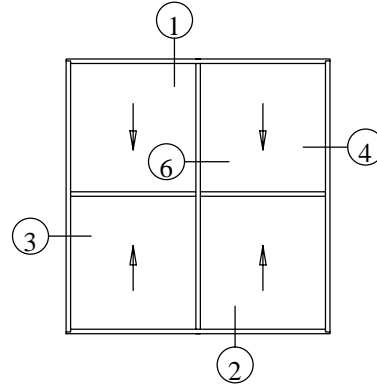
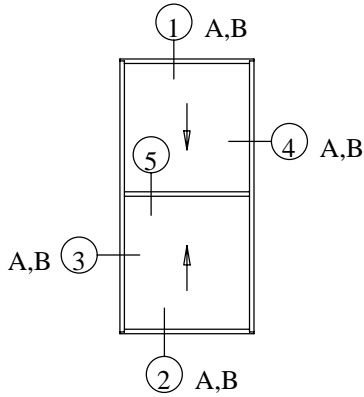
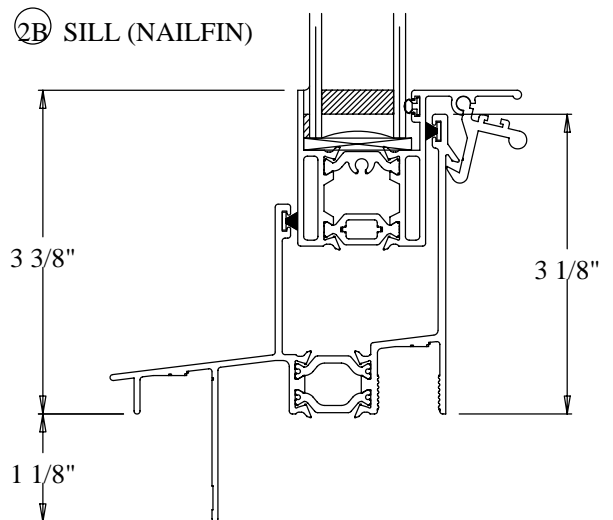
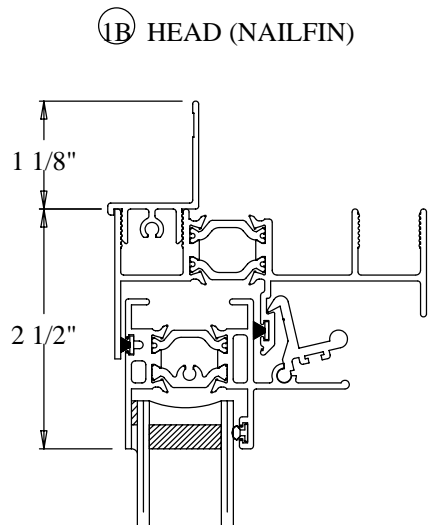
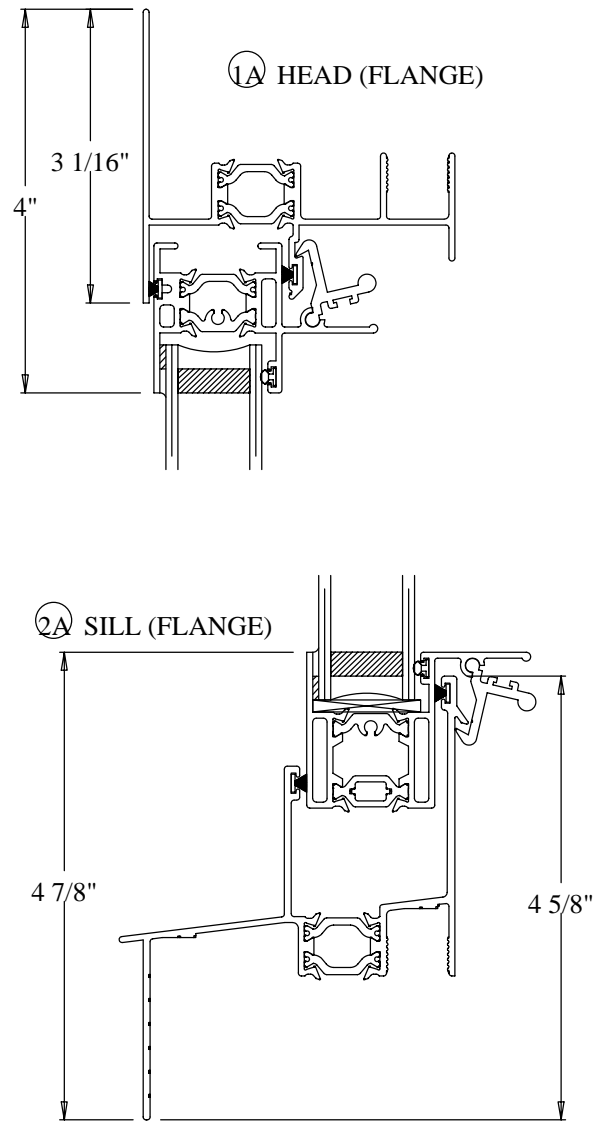
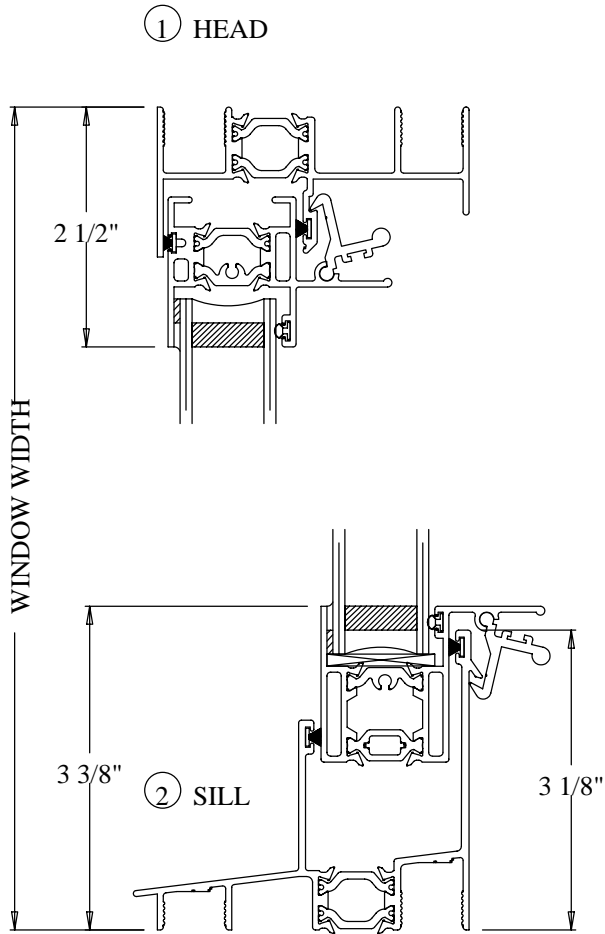




ELEVATIONS

SERIES NX-500
DOUBLE HUNG TILT

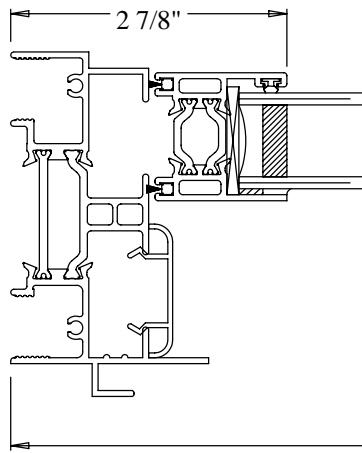




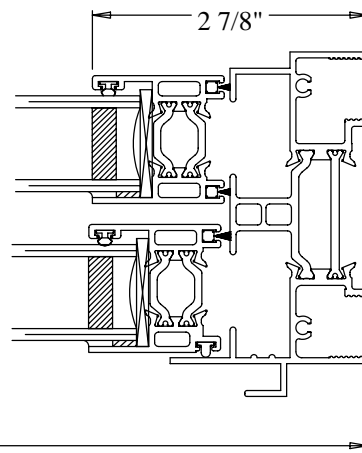


HALF SCALE SECTIONS

③ LEFT JAMB

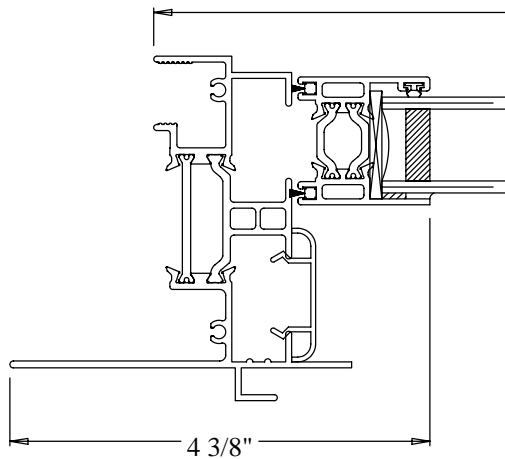


④ RIGHT JAMB

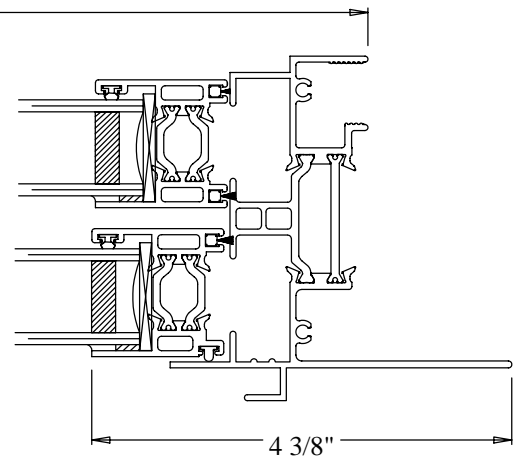


WINDOW WIDTH

③A LEFT JAMB
(FLANGE FRAME)

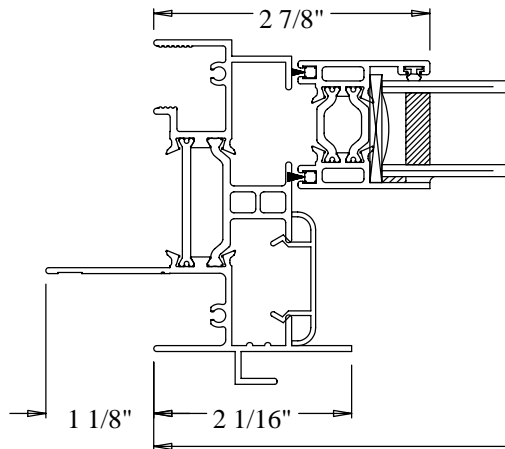


④A RIGHT JAMB
(FLANGE FRAME)

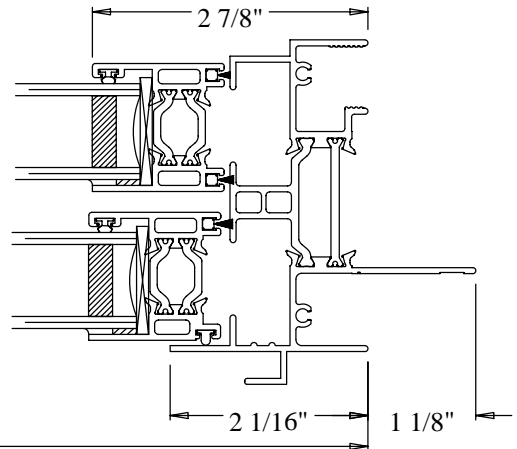


WINDOW WIDTH

③B LEFT JAMB
(NAILFIN)



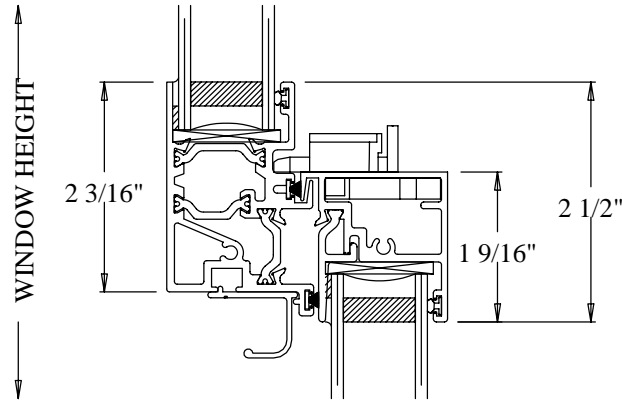
④B RIGHT JAMB
(NAILFIN)



WINDOW WIDTH



⑤ MEETING RAIL



⑥ VERTICAL INTEGRAL MULLION

