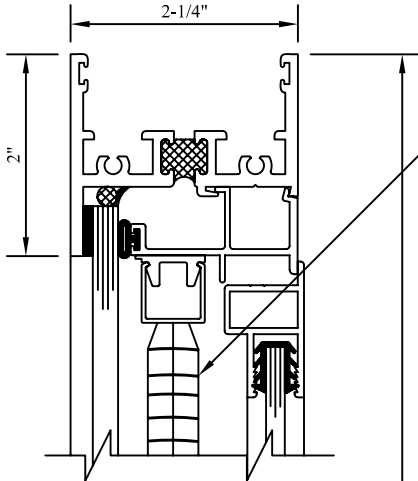
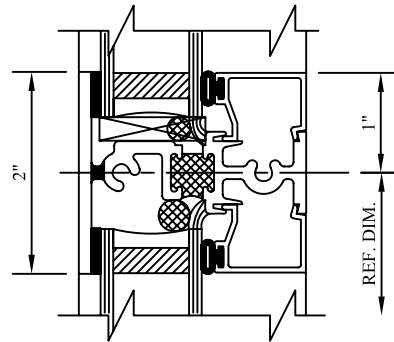




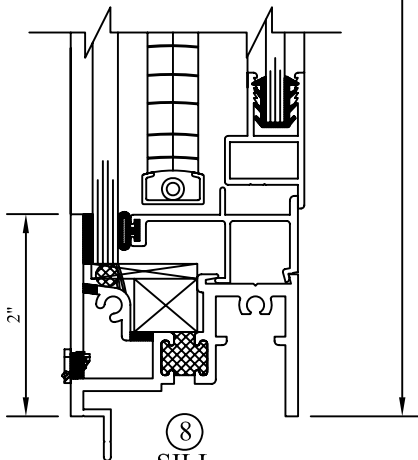
Please visit the SPZ electronic product catalog at www.traco.com for product specifications and additional section details.



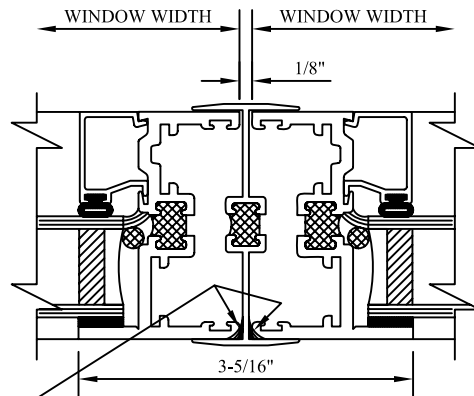
⑦
HEAD
(DUAL GLAZED)



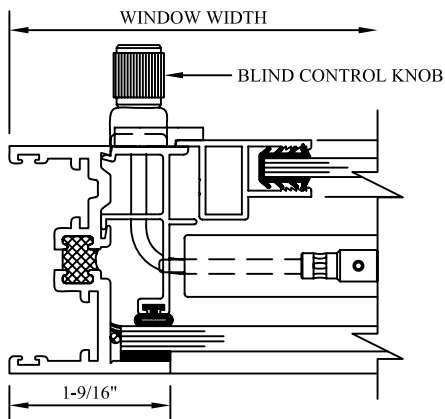
⑩
HORIZONTAL INTEGRAL MULLION
FIXED/FIXED



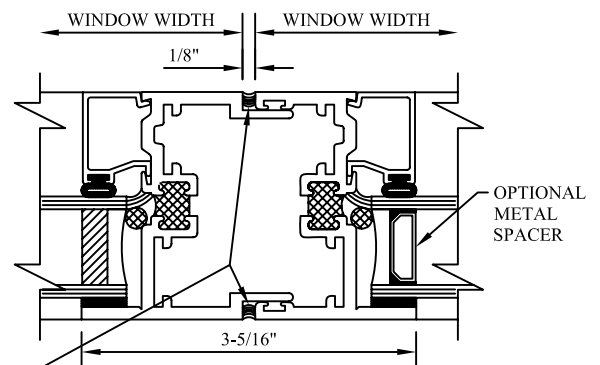
⑧
SILL
(DUAL GLAZED)



⑪
VERTICAL STACK MULLION
FIXED/FIXED



⑨
JAMB
(DUAL GLAZED)



⑫
VERTICAL EXPANSION MULLION
FIXED/FIXED