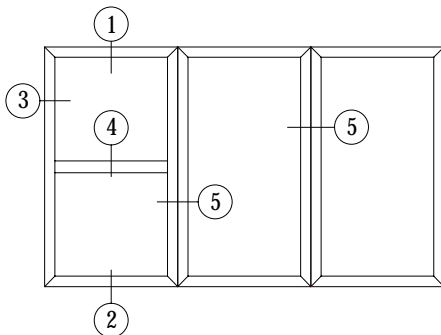




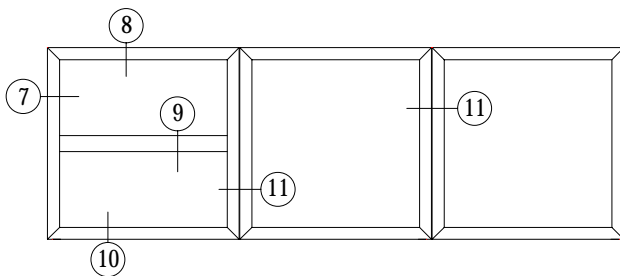
Elevations

NX-280 2-1/4" DEPTH



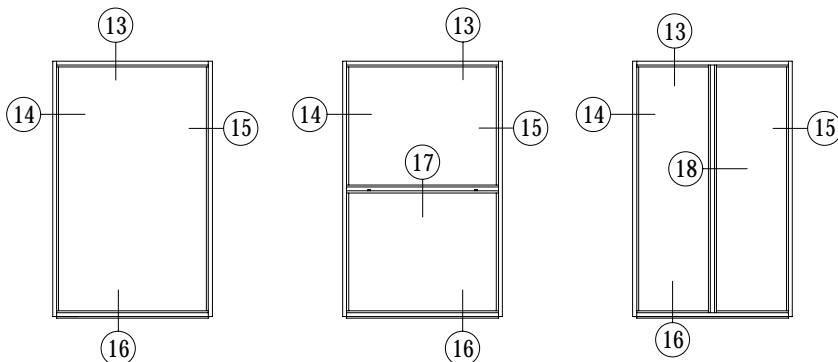
NX-280 NX-280 NX-280

NX-380 3-1/4" DEPTH



NX-380 NX-380 NX-380

TR-7900 3-1/4" DEPTH



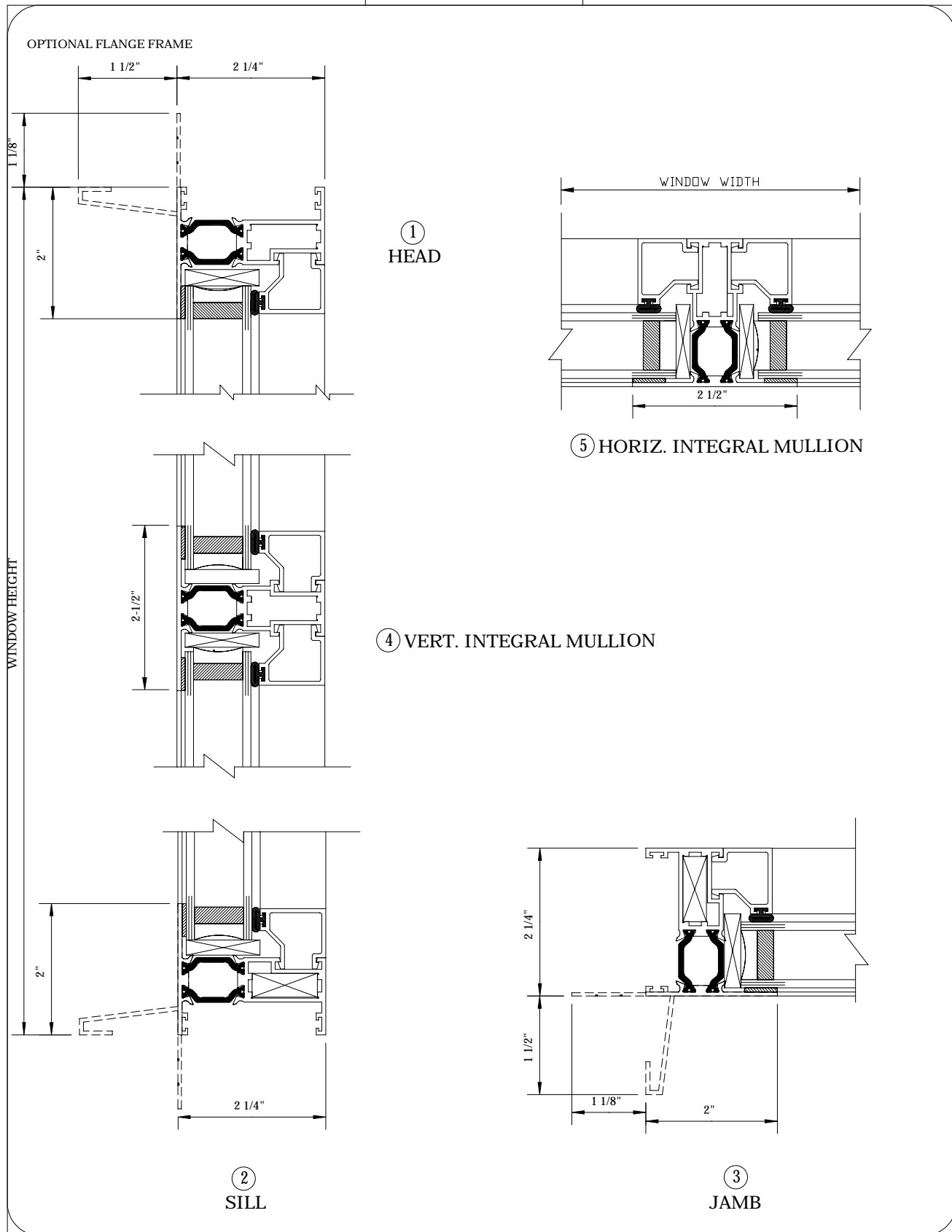
TR-7900

TR-7902

TR-7902



Half Scale Sections





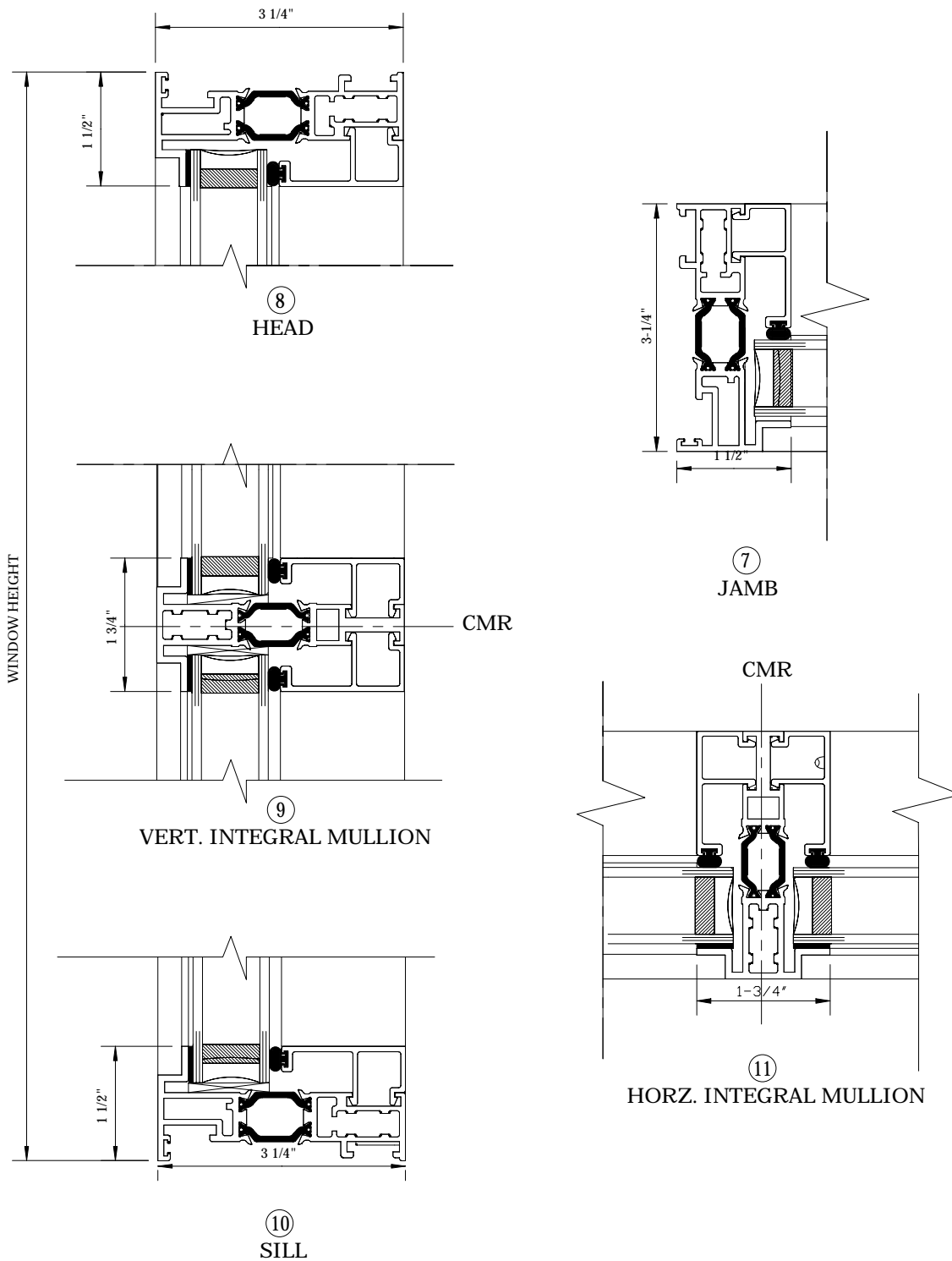
TRACOTM

The Windows And Doors That Greet The World.

HEAVY COMMERCIAL HISTORIC
3-1/4" PROJECTED OUT WINDOWS

NX-380
AB6-0
Page 3

Half Scale Sections

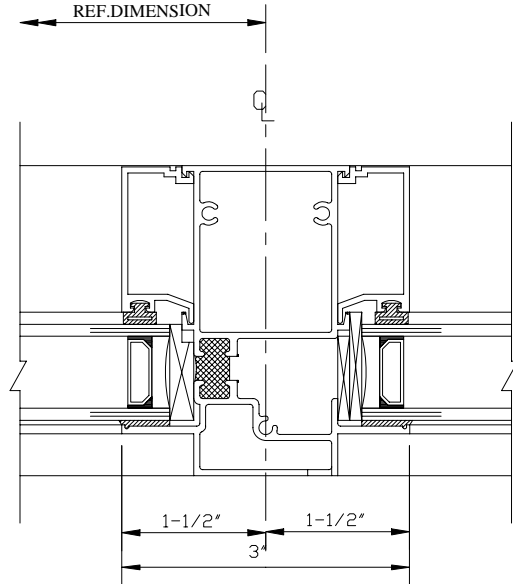
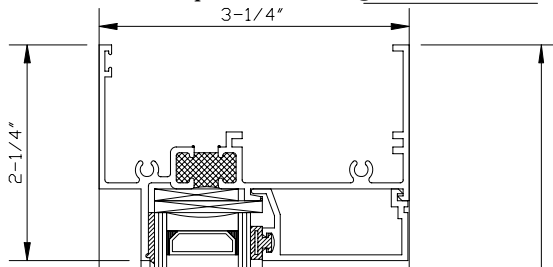




Half Scale Sections

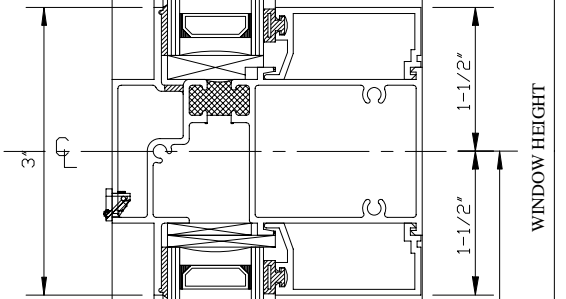
Please visit the SPZ electronic product catalog at www.traco.com for product specifications and additional section details.

⑬ HEAD



⑱ VERT. INTEGRAL MULLION

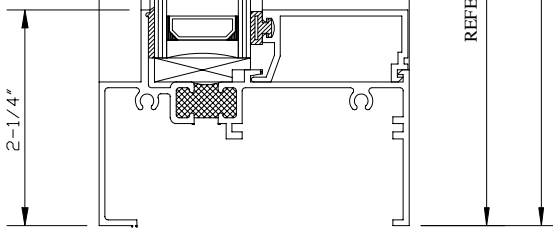
⑰ HORIZ. INTEGRAL MULLION



WINDOW HEIGHT

REFERENCE DIMENSION

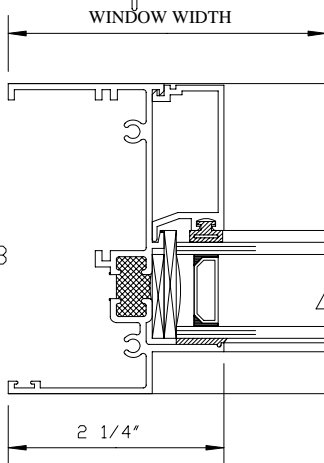
⑯ ("HC") SILL



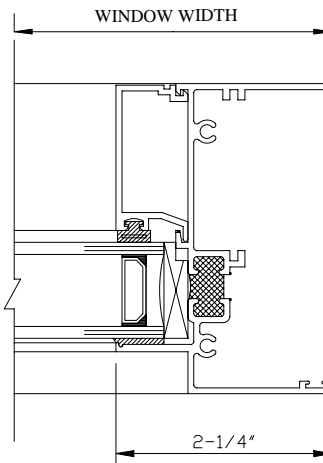
WINDOW WIDTH

WINDOW WIDTH

⑭ JAMB



⑮ JAMB





TRACO[™]

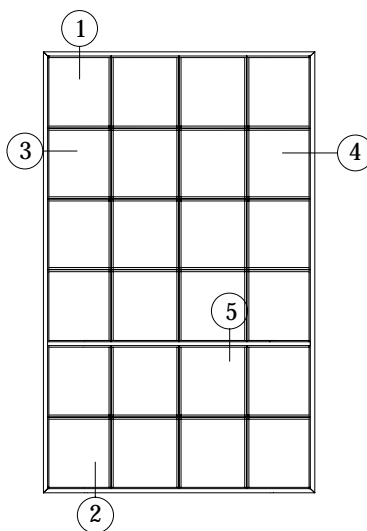
The Windows And Doors That Greet The World.

HEAVY COMMERCIAL HISTORIC

NX-3XX

Elevations

Please visit the SPZ electronic product catalog at www.traco.com for product specifications and additional section details.



NX-3XX
FIXED



TRACO™

The Windows And Doors That Greet The World.

NX-3XX FIXED BEVEL FRAME

Half Scale Sections

