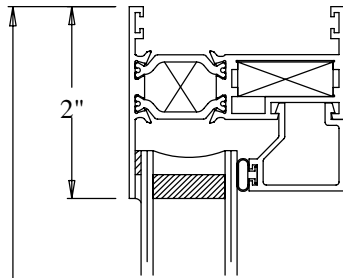
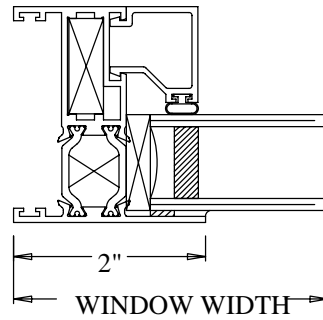


HALF SCALE SECTIONS

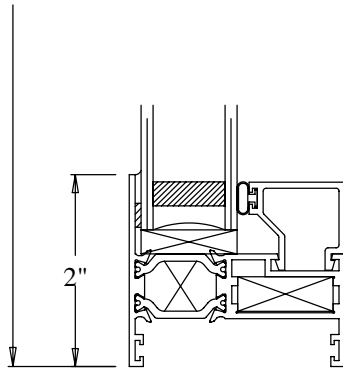
⑥ FIXED HEAD



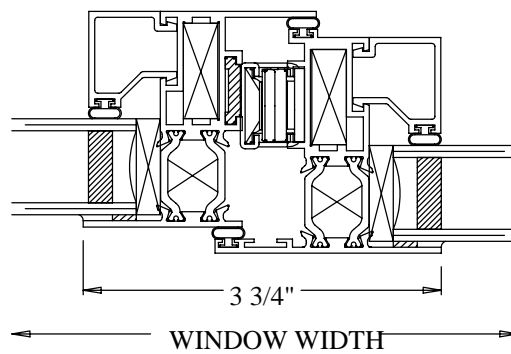
⑧ FIXED JAMB



WINDOW HEIGHT



⑦ FIXED SILL



⑨ VERTICAL INTEGRAL MULLION
(FIXED/VENT)