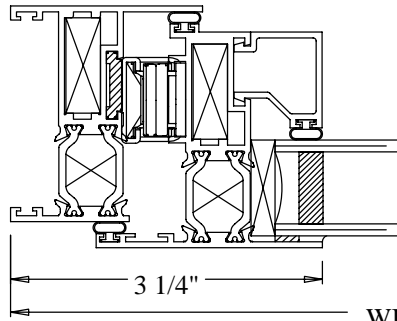


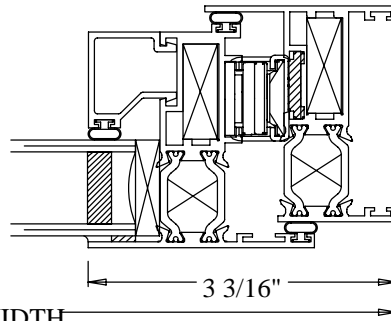


### HALF SCALE SECTIONS

③ VENT JAMB

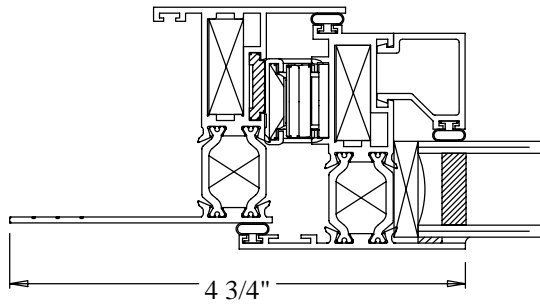


④ VENT JAMB

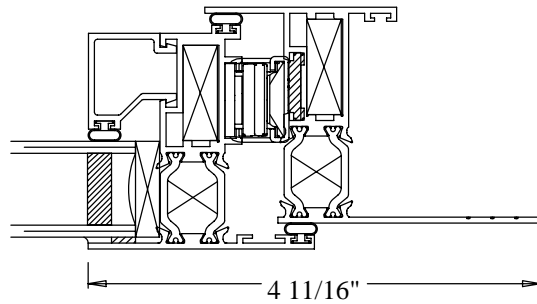


WINDOW WIDTH

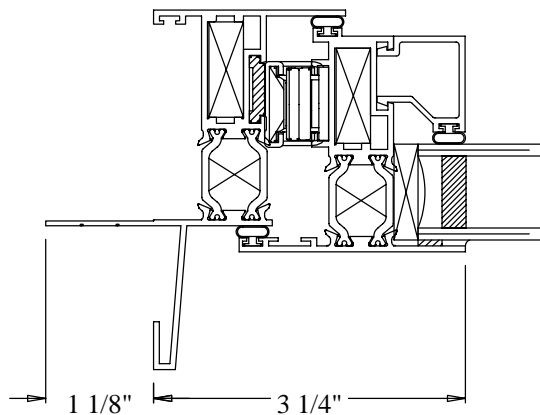
③A VENT JAMB  
(FLANGE FRAME)  
\*SINGLE VENT ONLY\*



④A VENT JAMB  
(FLANGE FRAME)  
\*SINGLE VENT ONLY\*



③B VENT JAMB  
(NAILFIN)



④B VENT JAMB  
(NAILFIN)

