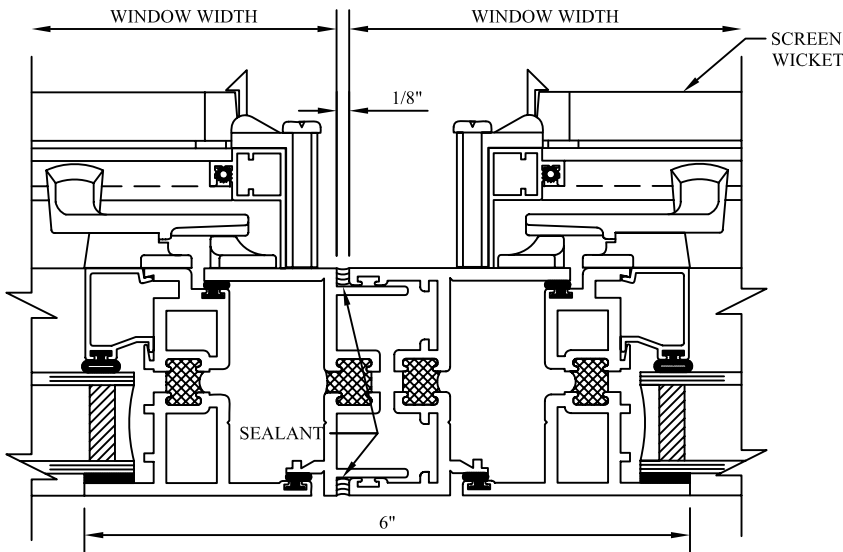
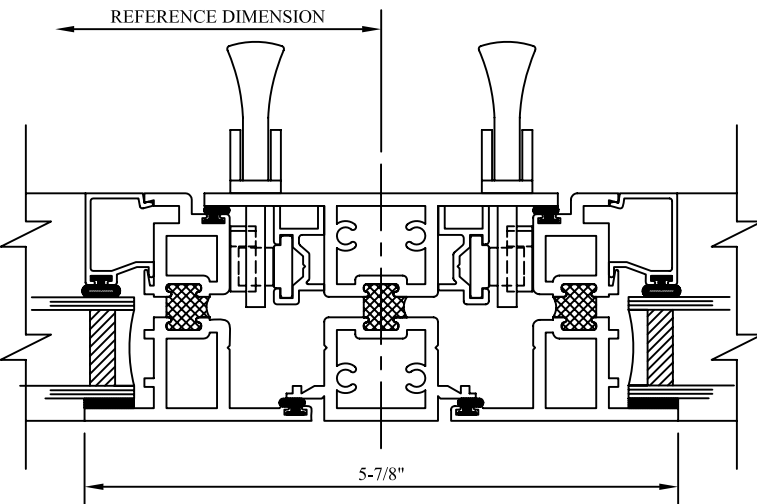




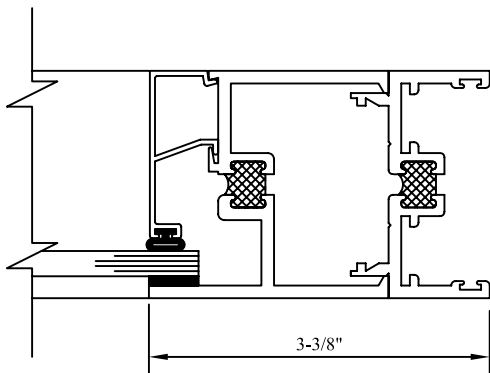
Please visit the SPZ electronic product catalog at [www.traco.com](http://www.traco.com) for product specifications and additional section details.



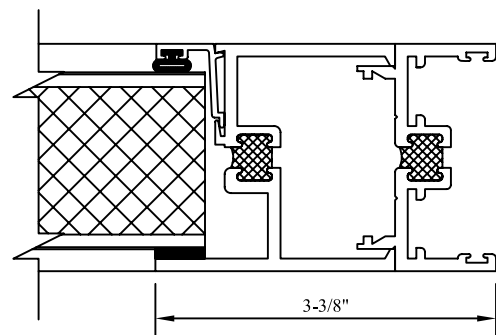
OPTIONAL VERTICAL EXPANSION MULLION (VENT/VENT)



OPTIONAL VERTICAL MULLION (VENT/VENT TWO POINT LOCKS)



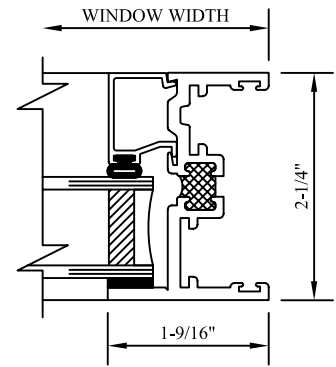
OPTIONAL SINGLE GLAZING



OPTIONAL 1-3/4" (MAXIMUM) PANEL GLAZING

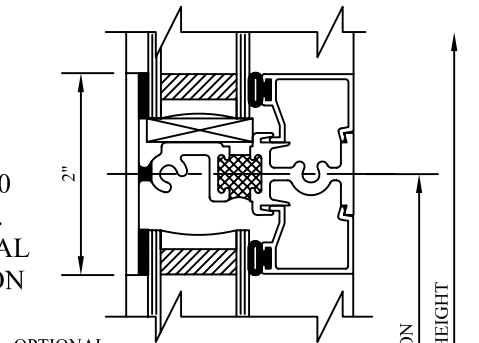
32

TR-2800 JAMB



33

TR-2800 HORIZ. INTEGRAL MULLION



34

TR-2800 SILL

