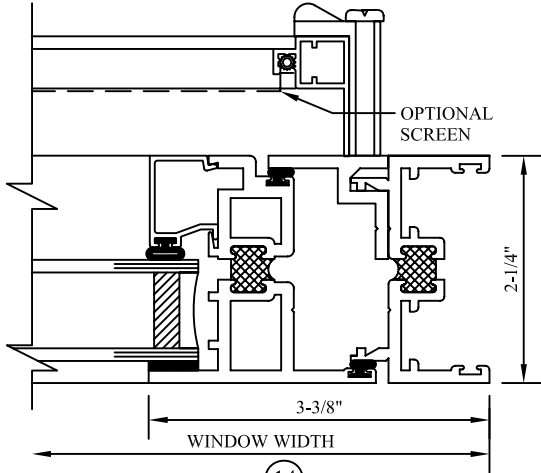


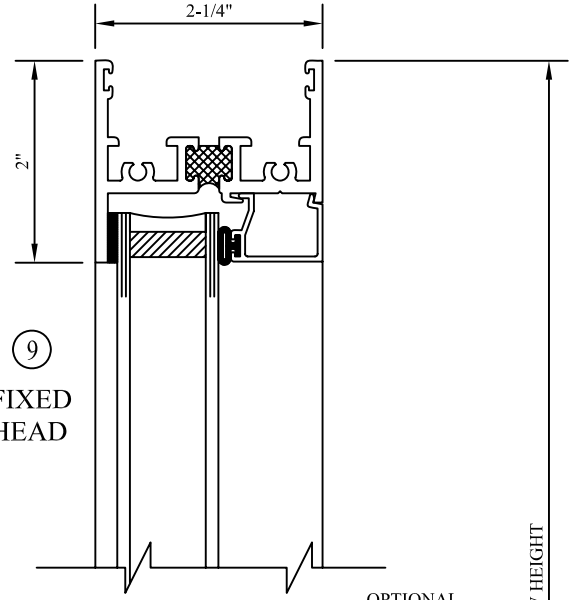


Half Scale Sections

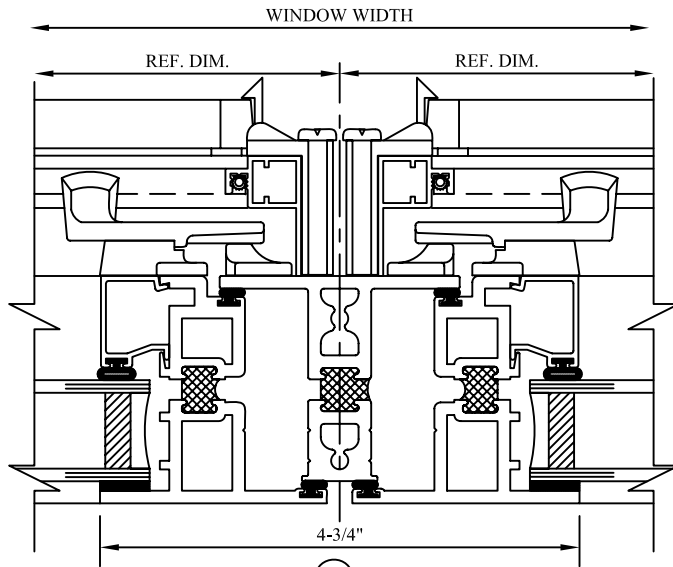
Please visit the SPZ electronic product catalog at www.traco.com for product specifications and additional section details.



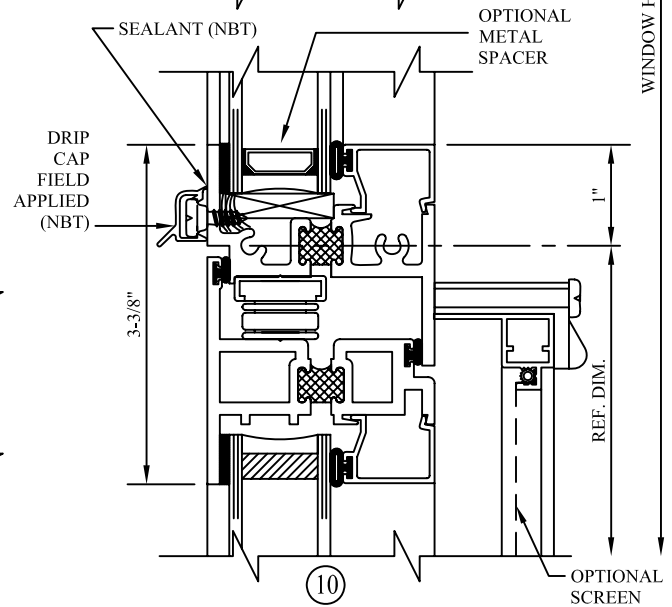
⑭
PIVOT JAMB



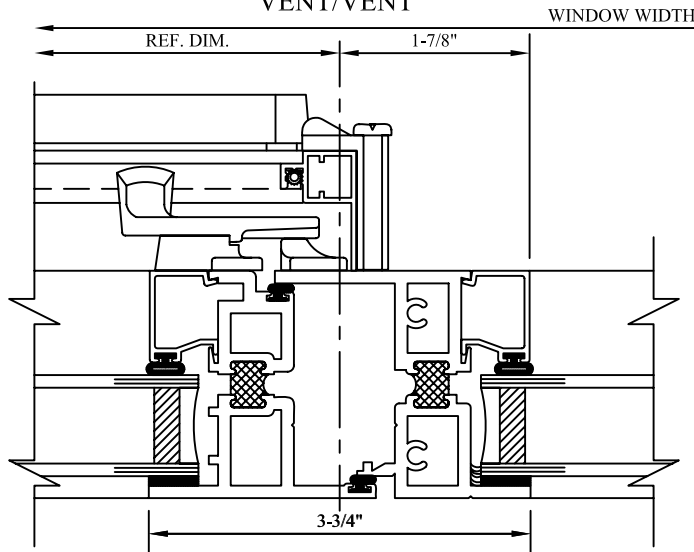
⑨
FIXED HEAD



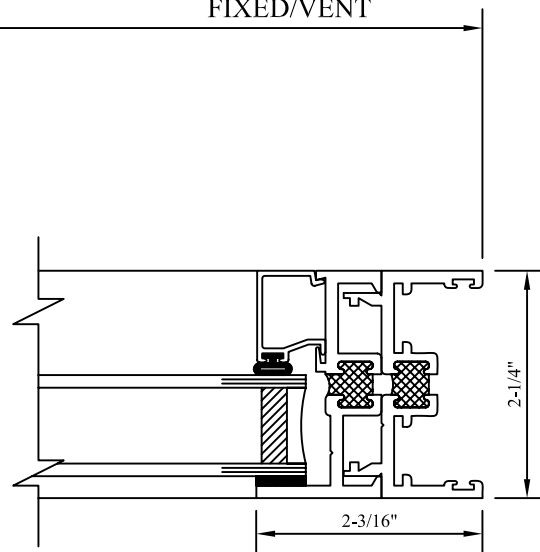
⑫
VERTICAL INTEGRAL MULLION
VENT/VENT



⑩
HORIZONTAL INTEGRAL MULLION
FIXED/VENT



⑬ ALT
VERTICAL INTEGRAL MULLION
VENT/FIXED



⑪
FIXED JAMB